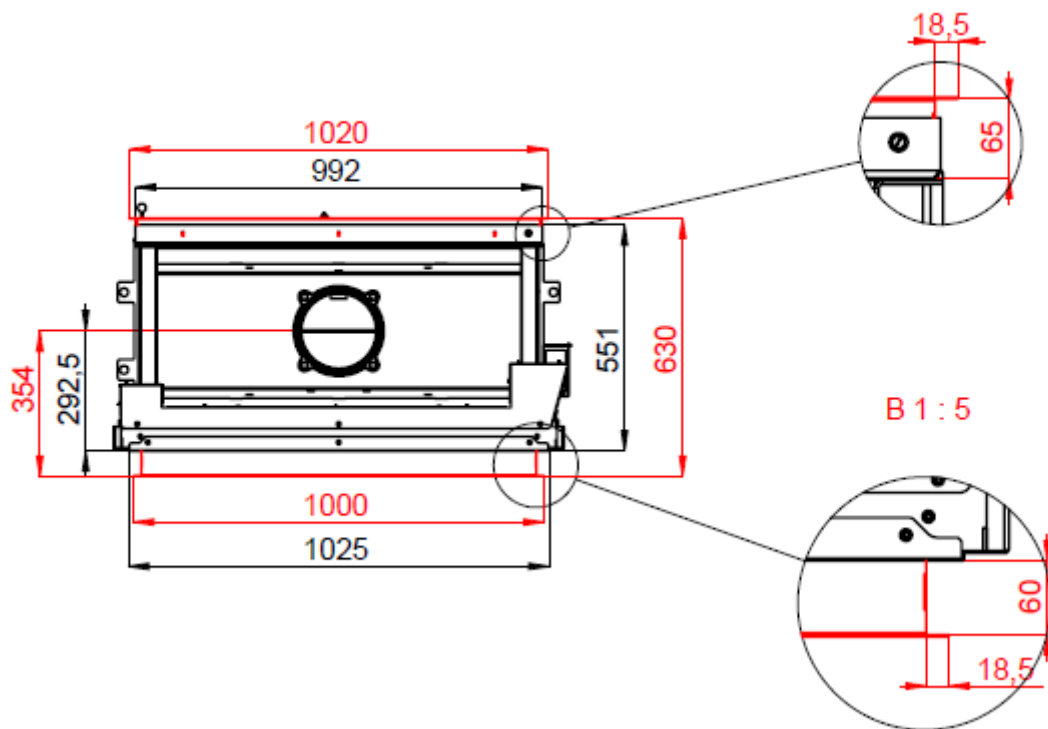
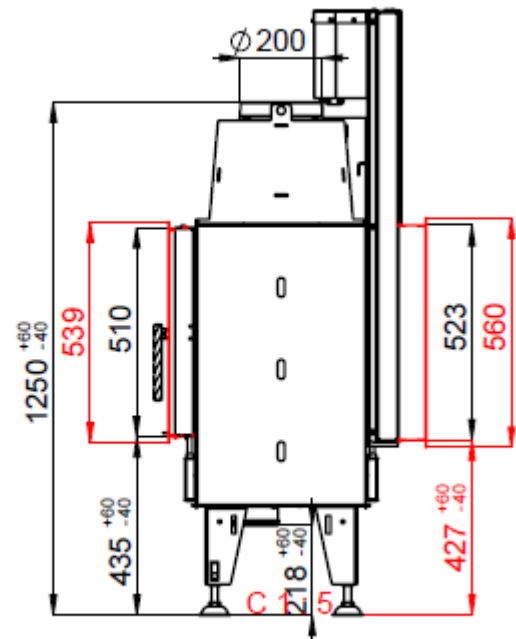
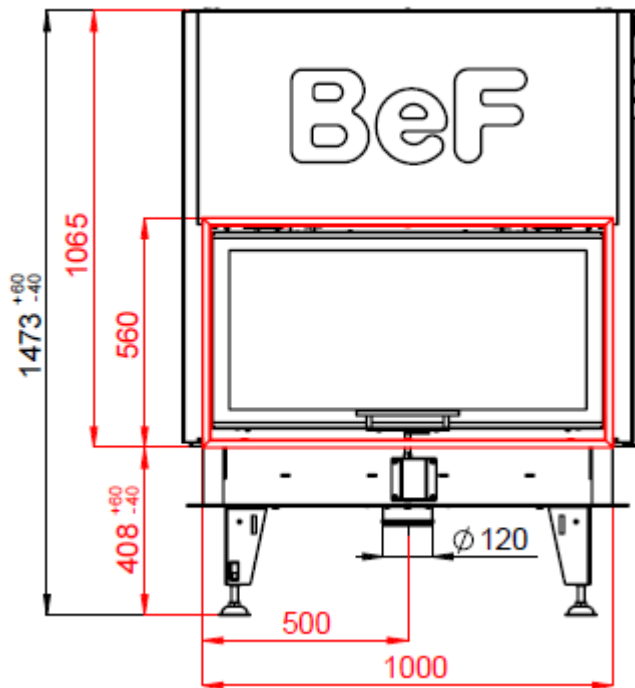


# FIREPLACE INSERT BEF TWIN V 10 IN ACCORDANCE WITH EN 13 229

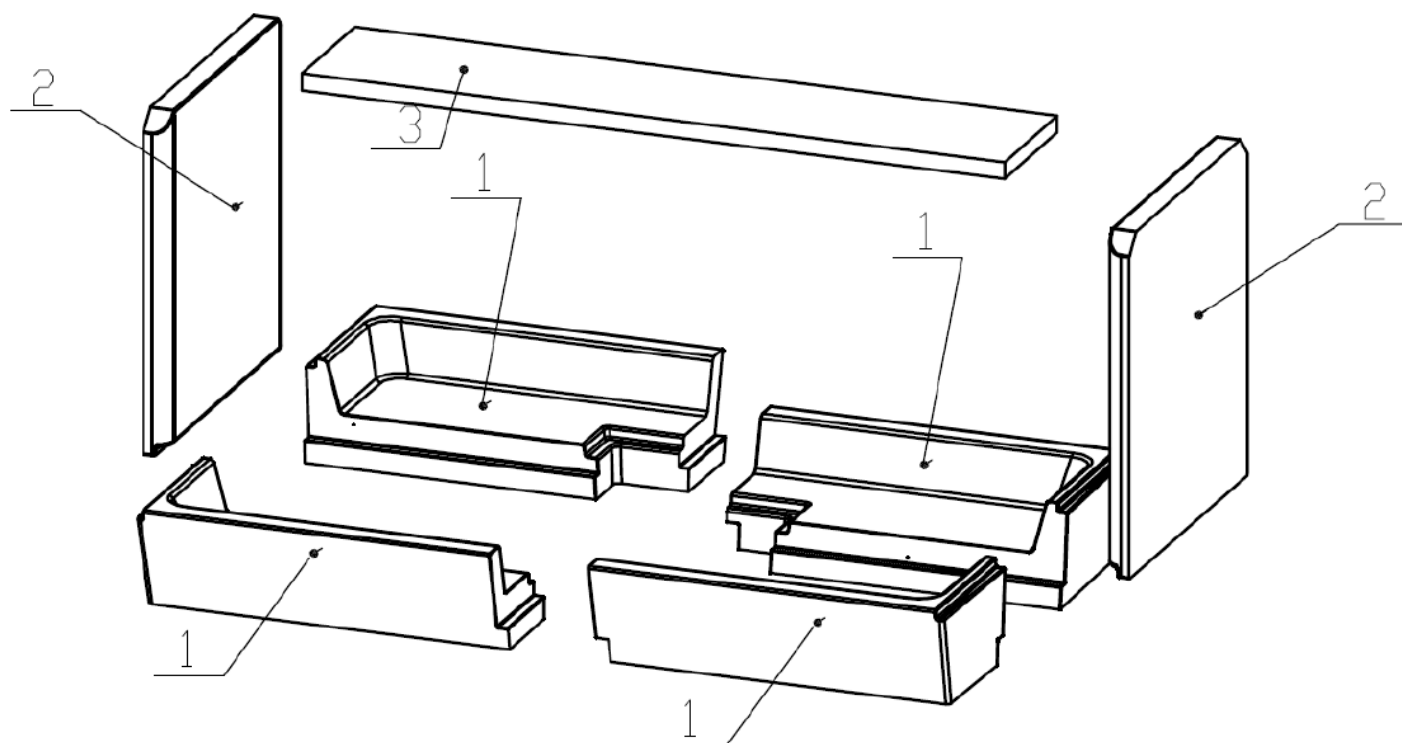


# **FIREPLACE INSERT BEF TWIN V 10** **IN ACCORDANCE WITH EN 13 229**

## **Technical data:**

Nominal heat output	kW	14
Efficiency	%	83
Volume flow of combustion products	g/s	10,6
Flue-gas temperature	°C	242
Min. feed pressure at nominal heat output	Pa	12
Fuel		wood (beech logs)
Fuel consumption per hour	kg/h	4
CO emission in burnt gas (in relation to 13% O2) %		0,098
Dust in flue-gas (in relation to 13% O2) mg/Nm <sup>3</sup>		29
Smoke flue diameter	mm	200
Weight	kg	294

## **Set of carcon firebox:**



## **List of spare parts:**

- 1. Bottom**
- 2. Side piece**
- 3. Deflector**
- 4. Cast iron grate**
- 5. Ashtray**

For details see Installation and Service Instructions.