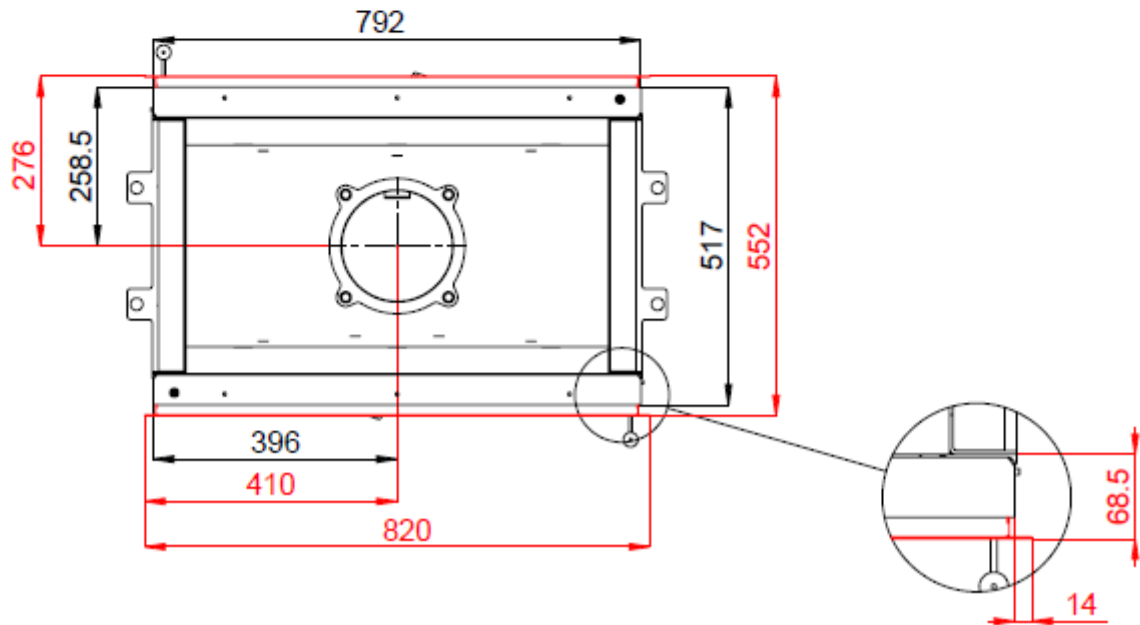
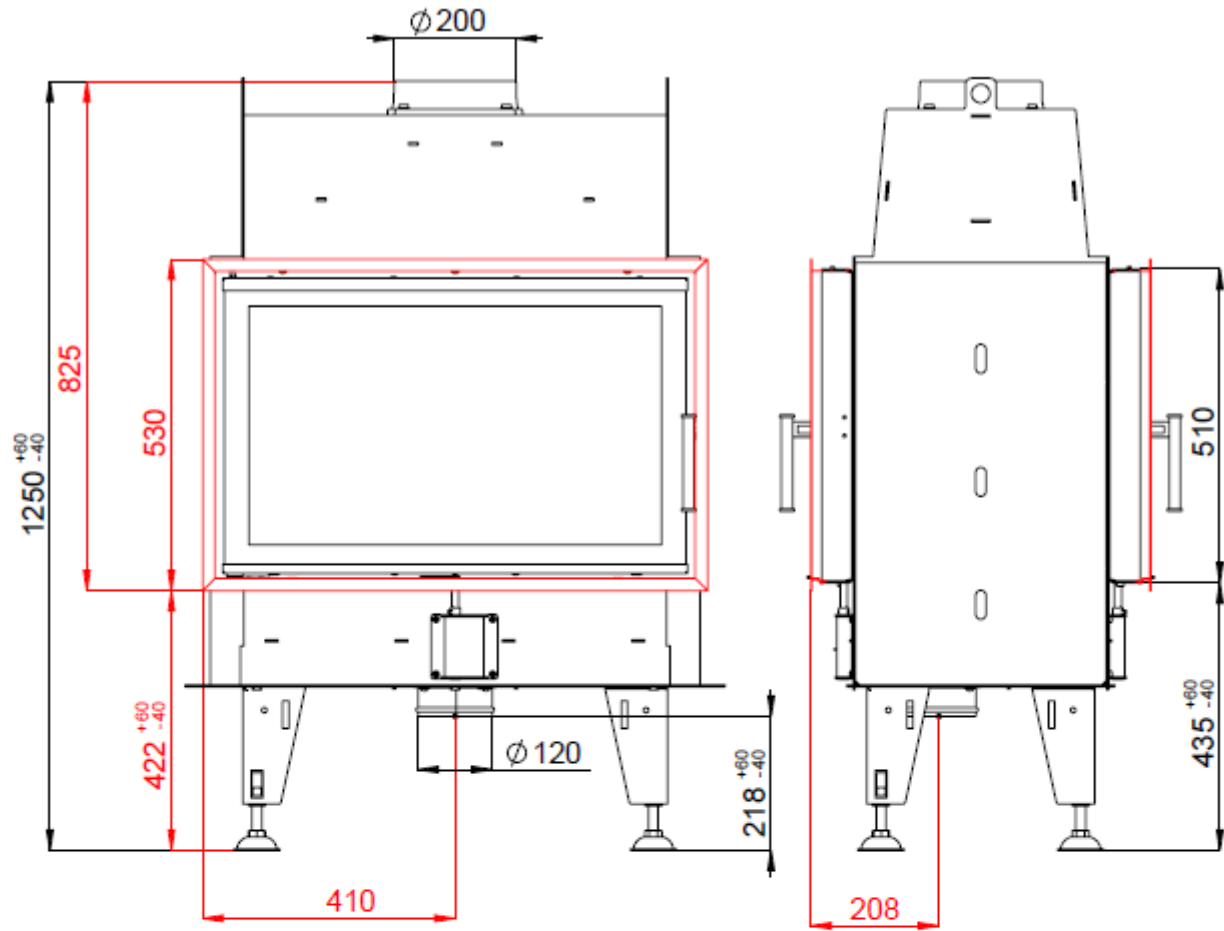


FIREPLACE INSERT BEF TWIN 8 IN ACCORDANCE WITH EN 13 229

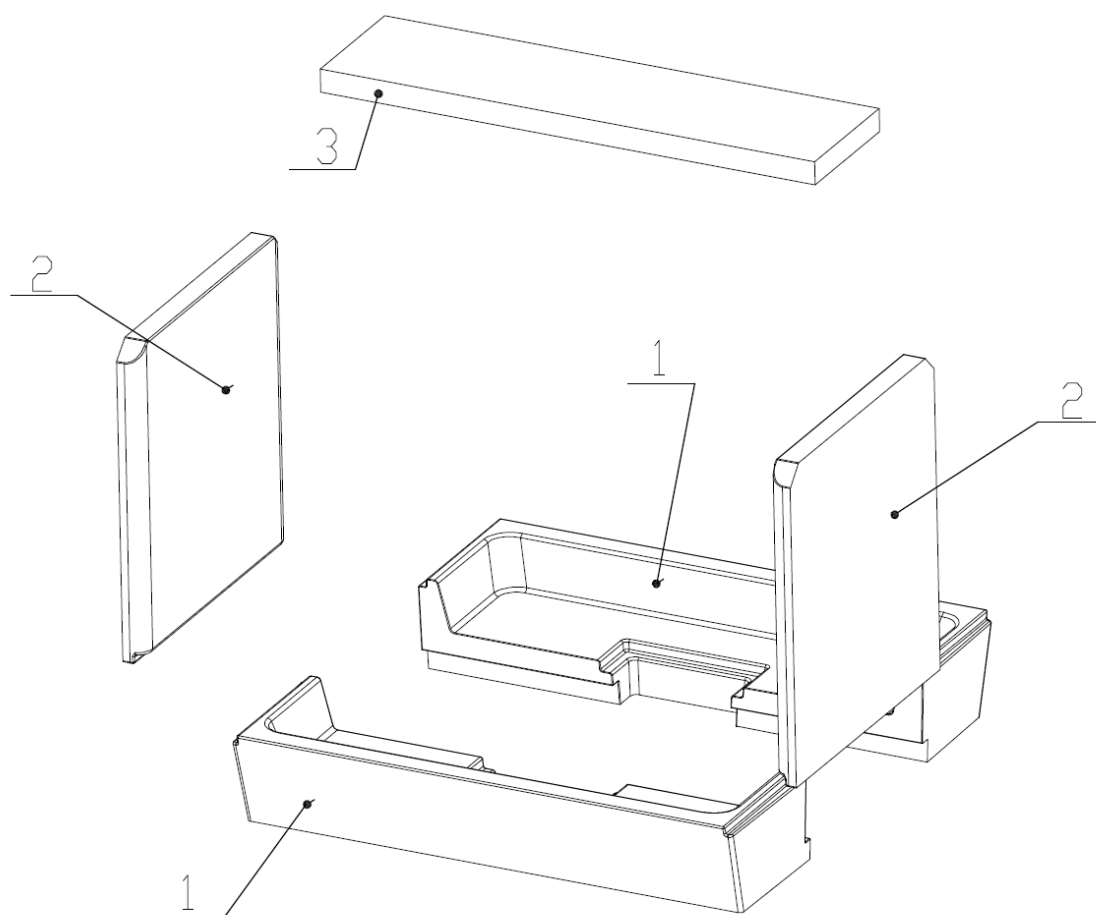


FIREPLACE INSERT BEF TWIN 8 **IN ACCORDANCE WITH EN 13 229**

Technical data:

Nominal heat output	kW	10
Efficiency	%	80
Volume flow of combustion products	g/s	9,3
Flue-gas temperature	°C	240
Min. feed pressure at nominal heat output	Pa	12
Fuel		wood (beech logs)
Fuel consumption per hour	kg/h	2,76
CO emission in burnt gas (in relation to 13% O ₂) %		0,0993
Dust in flue-gas (in relation to 13% O ₂)	mg/Nm ³	30
Smoke flue diameter	mm	200
Weight	kg	192

Set of carcon firebox:



List of spare parts:

- 1. Bottom**
- 2. Side piece**
- 3. Deflector**
- 4. Cast iron grate**
- 5. Ashtray**

For details see Installation and Service Instructions.