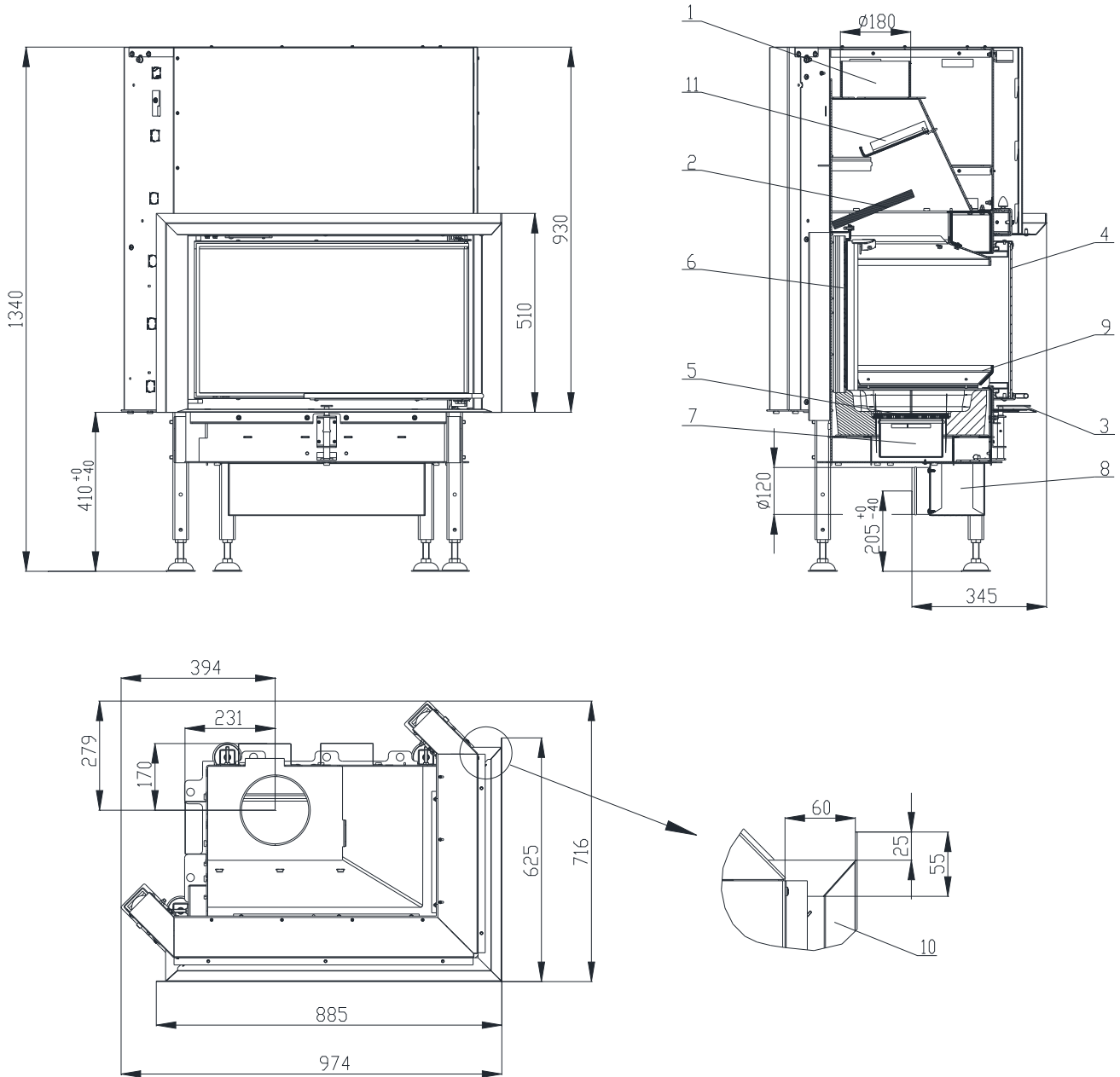


# FIREPLACE INSERT TREND V 8 CP IN ACCORDANCE WITH EN 13 229

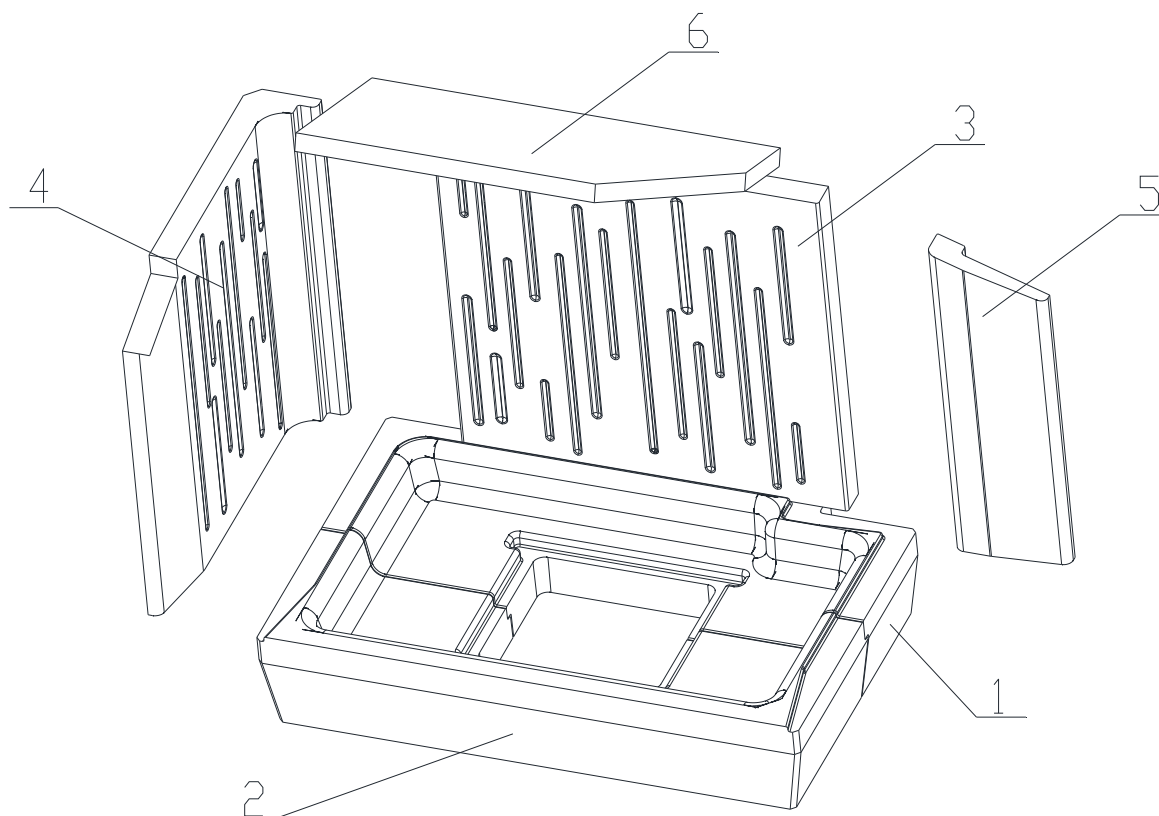


- |  |  |
|--|--|
| <ul style="list-style-type: none"> <li>1. Smoke flue bellmouth</li> <li>2. Deflector (Vermiculite)</li> <li>3. Combustion air regulation</li> <li>4. Glass</li> <li>5. Grate</li> <li>6. Refractory concrete (Carcon)</li> </ul> | <ul style="list-style-type: none"> <li>7. Ash tray</li> <li>8. External air input</li> <li>9. Barrier</li> <li>10. Frame</li> <li>11. Deflector (Steel)</li> </ul> |
|--|--|

**Technical data:**

Nominal heat output	kW	13
Efficiency	%	80
Volume flow of combustion products	g/s	10,2
Flue-gas temperature	°C	280
Min. feed pressure at nominal heat output	Pa	12
Fuel		wood (beech logs)
Fuel consumption per hour	kg/h	3,8
CO emission in burnt gas (in relation to 13% O2 %)		0,067
Smoke flue diameter	mm	180
Weight	kg	217

## Set of carcon firebox:



BeF Home, s.r.o.  
Kotvrdovice 277  
679 07 Kotvrdovice  
IČO: 25524682



Type: **TREND 8**

Version: **8, V8, V8CL, V8CP, V8C, 8C**

Test number: **30-11485/1**

Notified person: **1015 EN 13229**

Heat output: **13 kW výkonu pro vytápění**

Efficiency: **80 %**

CO emission in burnt gas (in relation to 13% O<sub>2</sub>): **0,067 %**

Burnt gas temperature: **280 °C**

Distance from adjacent combustible materials: **8cm + 10cm thermal insulation**

Fuel: **wood (beech logs)**

**Wood burning fireplace insert for room heating**

**Peruse and keep service instructions!**

**Appliance with short term combustion process!**

- 1. Back bottom**
- 2. Front bottom**
- 3. Back**
- 4. Side piece**
- 5. Cover**
- 6. Deflector (Vermiculite)**

For details see Installation and Service Instructions