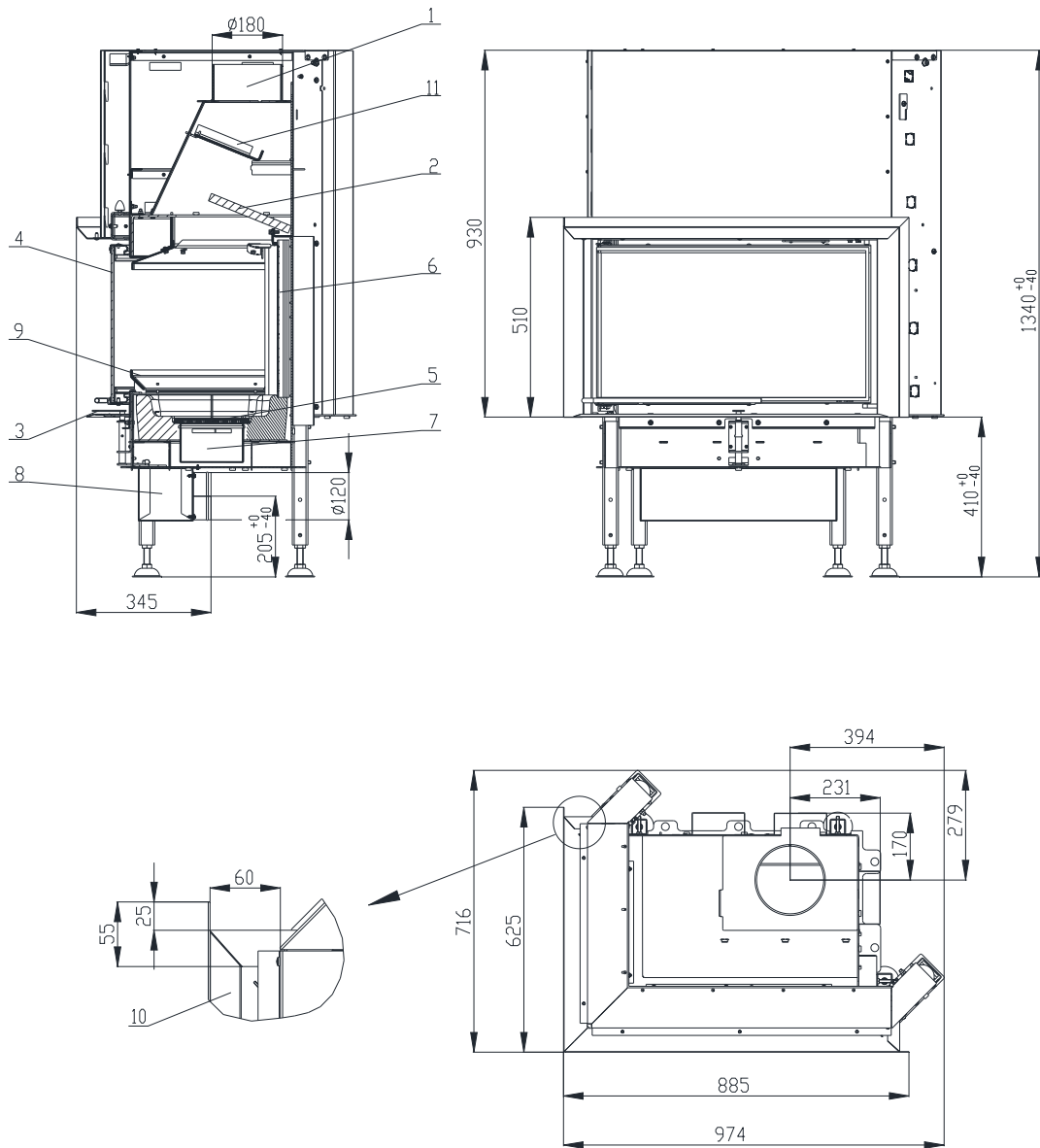


FIREPLACE INSERT TREND V 8 CL IN ACCORDANCE WITH EN 13 229

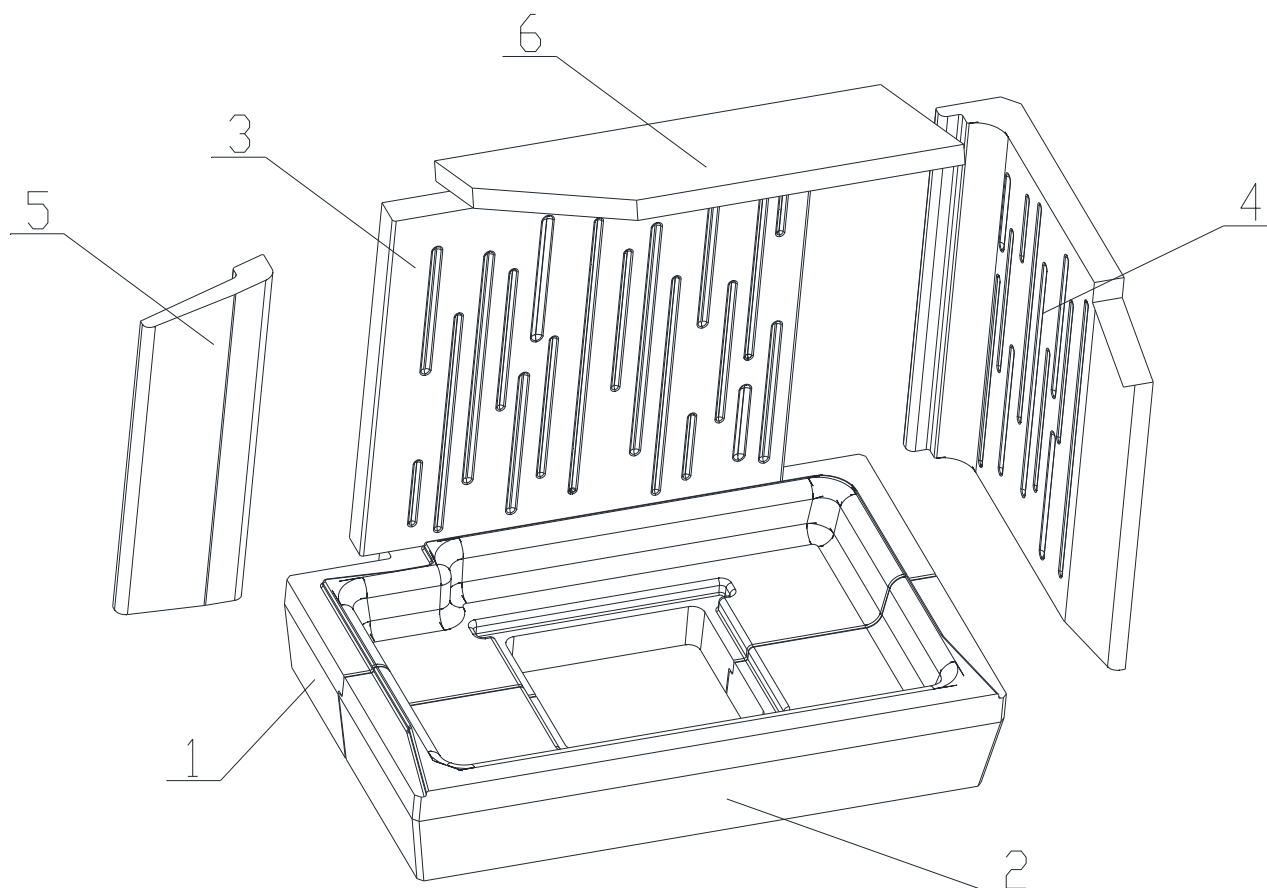


- | | |
|--|--|
| <ul style="list-style-type: none"> 1. Smoke flue bellmouth 2. Deflector (Vermiculite) 3. Combustion air regulation 4. Glass 5. Grate 6. Refractory concrete (Carcon) | <ul style="list-style-type: none"> 7. Ash tray 8. External air input 9. Barrier 10. Frame 11. Deflector (Steel) |
|--|--|

Technical data:

Nominal heat output	kW	13
Efficiency	%	80
Volume flow of combustion products	g/s	10,2
Flue-gas temperature	°C	280
Min. feed pressue at nominal heat output	Pa	12
Fuel	wood (beech logs)	
Fuel consumption per hour	kg/h	3,8
CO emission in burnt gas (in relation to 13% O ₂) %		0,067
Smoke flue diameter	mm	180
Weight	kg	217

Set of carcon firebox:



BeF Home, s.r.o.

Kotvrdovice 277

679 07 Kotvrdovice

IČO: 25524682



Type: **TREND 8**

Version: **8, V8, V8CL, V8CP, V8C, 8C**

Test number: **30-11485/1**

Notified person: **1015 EN 13229**

Heat output: **13 kW capacity for heating**

Efficiency **80 %**

CO emission in burnt gas (in relation to 13% O₂): **0,067 %**

Burnt gas temperature: **280 °C**

Distance from adjacent combustible materials: **8cm + 10cm thermal insulation**

Fuel: **wood (beech logs)**

Wood burning fireplace insert for room heating

Peruse and keep service instructions!

Appliance with short-term combustion process!

- 1. Back bottom**
- 2. Front bottom**
- 3. Back**
- 4. Side piece**
- 5. Cover**
- 6. Deflector (Vermiculite)**

For details see Installation and Service Instructions