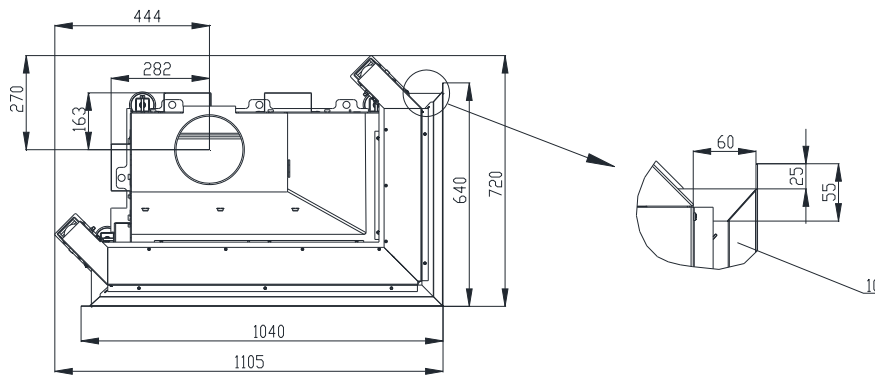
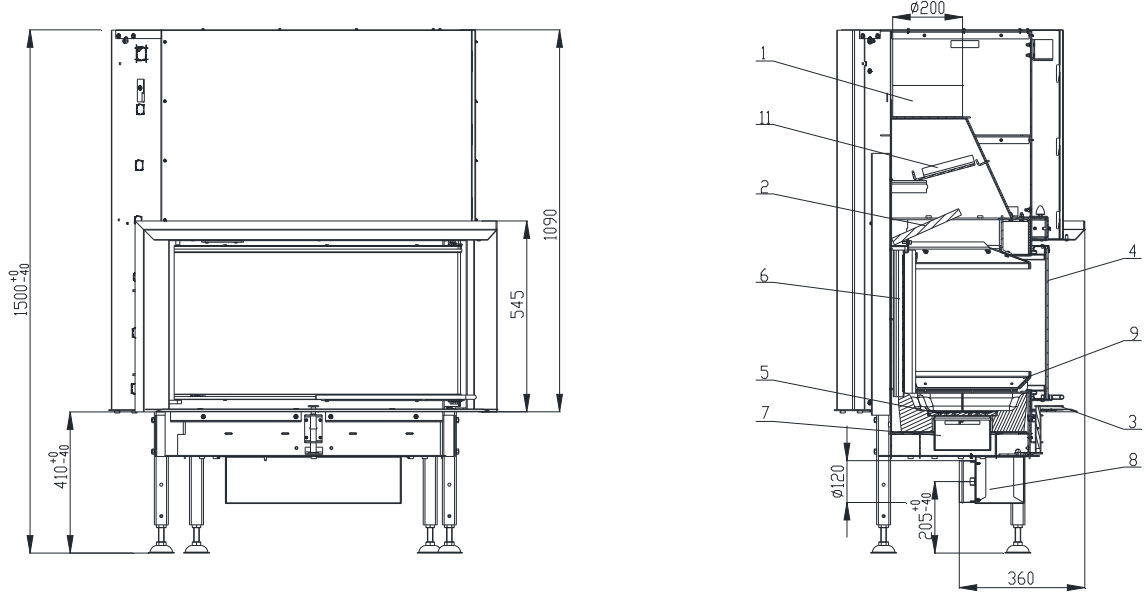


FIREPLACE INSERT TREND V 10 CP IN ACCORDANCE WITH EN 13 229

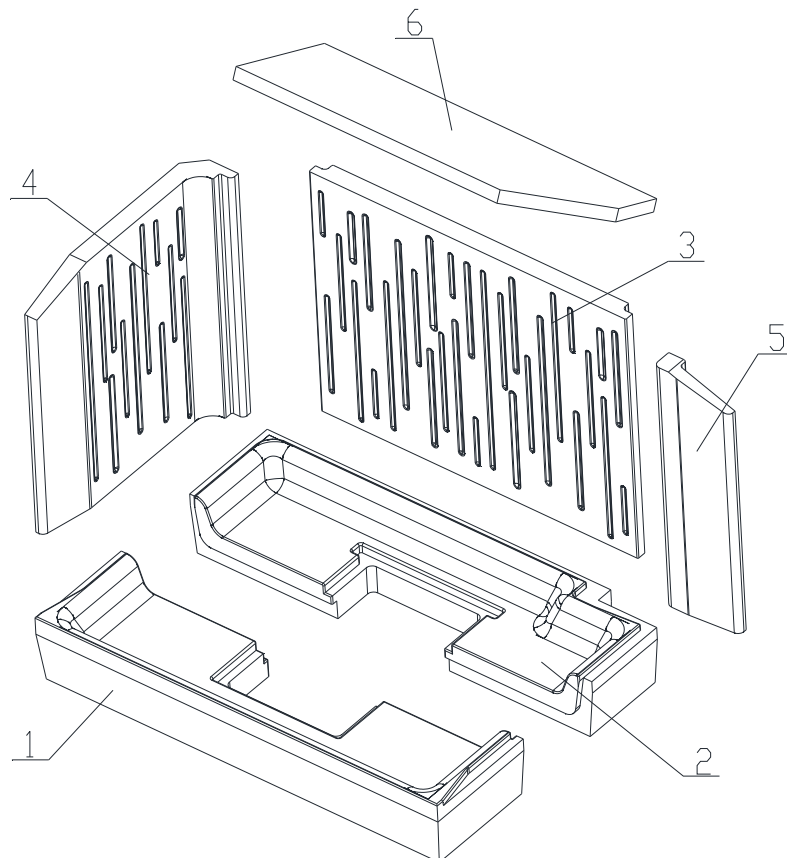


- | | |
|-----------------------------------------------------------------------------------------------------------------------------------------------------------------------------------------------------------------------|---------------------------------------------------------------------------------------------------------------------------------------------------|
| <p>1. Smoke flue bellmouth</p> <p>2. Deflector (Vermiculite)</p> <p>3. Combustion air regulation</p> <p>4. Glass</p> <p>5. Grate</p> <p>6. Refractory concrete (Carcon)</p> | <p>7. Ash tray</p> <p>8. External air input</p> <p>9. Barrier</p> <p>10. Frame</p> <p>11. Deflector (Ocel)</p> |
|-----------------------------------------------------------------------------------------------------------------------------------------------------------------------------------------------------------------------|---------------------------------------------------------------------------------------------------------------------------------------------------|

Technical data:

Nominal heat output	kW	13,5
Efficiency	%	84
Volume flow of combustion products	g/s	10,2
Flue gas temperature	°C	302,3
Min. feed pressure at nominal heat output	Pa	12
Fuel		wood (beech logs)
Fuel consumption per hour	kg/h	3,6
CO emission in burnt gas (in relation to 13% O ₂) %		0,0877
Smoke flue diameter	mm	200
Weight	kg	265

Set of carcon firebox:



1. Front bottom
2. Back bottom
3. Back

4. Side face
5. Cover
6. Bottom deflector

BeF Home, s.r.o. Kotvrdovice 277 679 07 Kotvrdovice IČO: 25524682	BÊF home	CE	12
Type: TREND V10 Version: V10, V10CL, V10CP Test number: 30-11496 Notified person: 1015 EN 13229 Heat output: 13,5 kW capacity for heating Efficiency: 84% CO emission in burnt gas (in relation to 13% O ₂): 0,0877% Burnt gas temperature: 302,3°C Distance from adjacent combustible materials: 8cm + 10cm thermal insulation Fuel: wood (beech logs) Wood burning fireplace insert for room heating			
Peruse and keep service instructions! Appliance with short-term combustion process!			

For details see Installation and Service Instructions