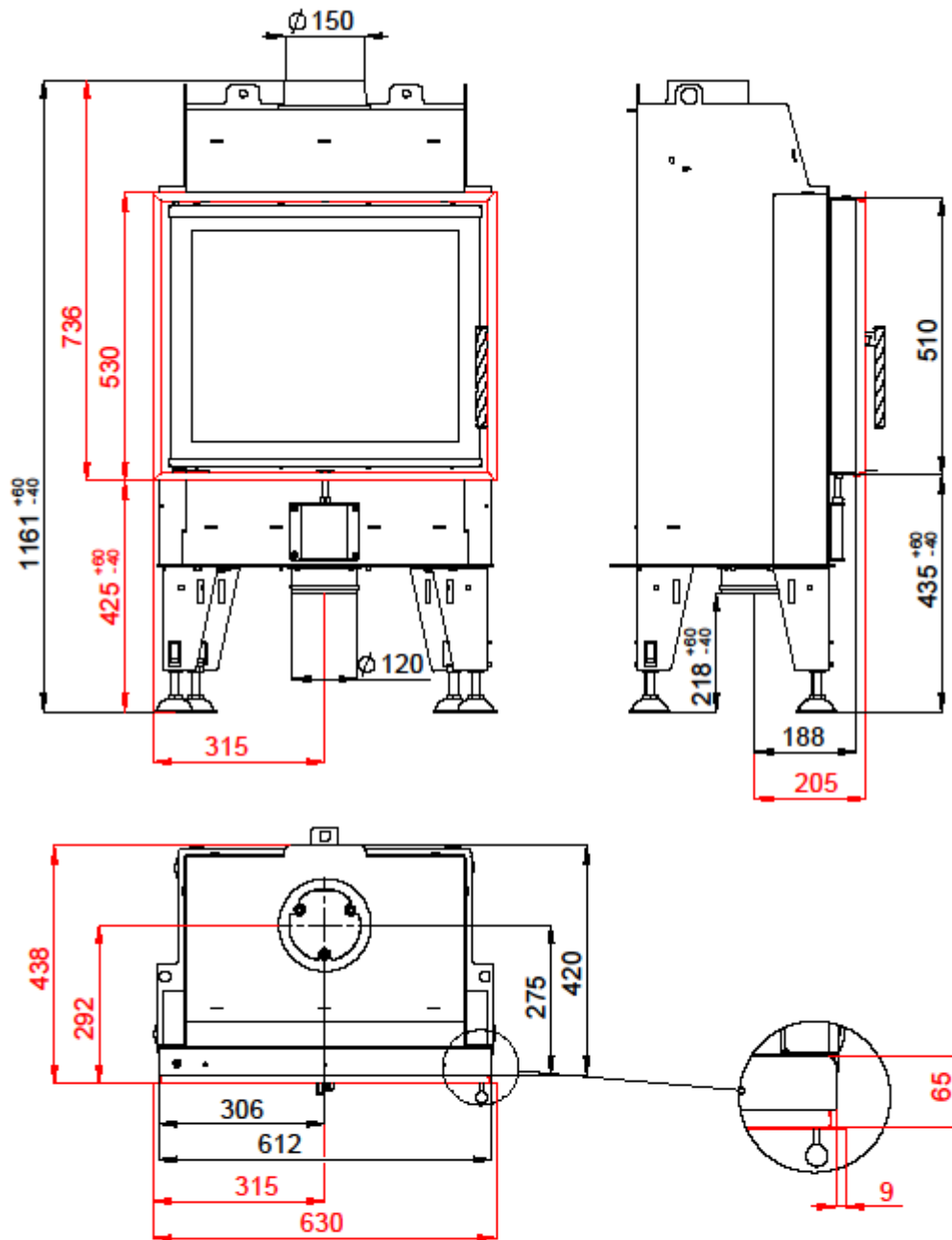


# FIREPLACE INSERT BEF TREND 6 IN ACCORDANCE WITH EN 13 229

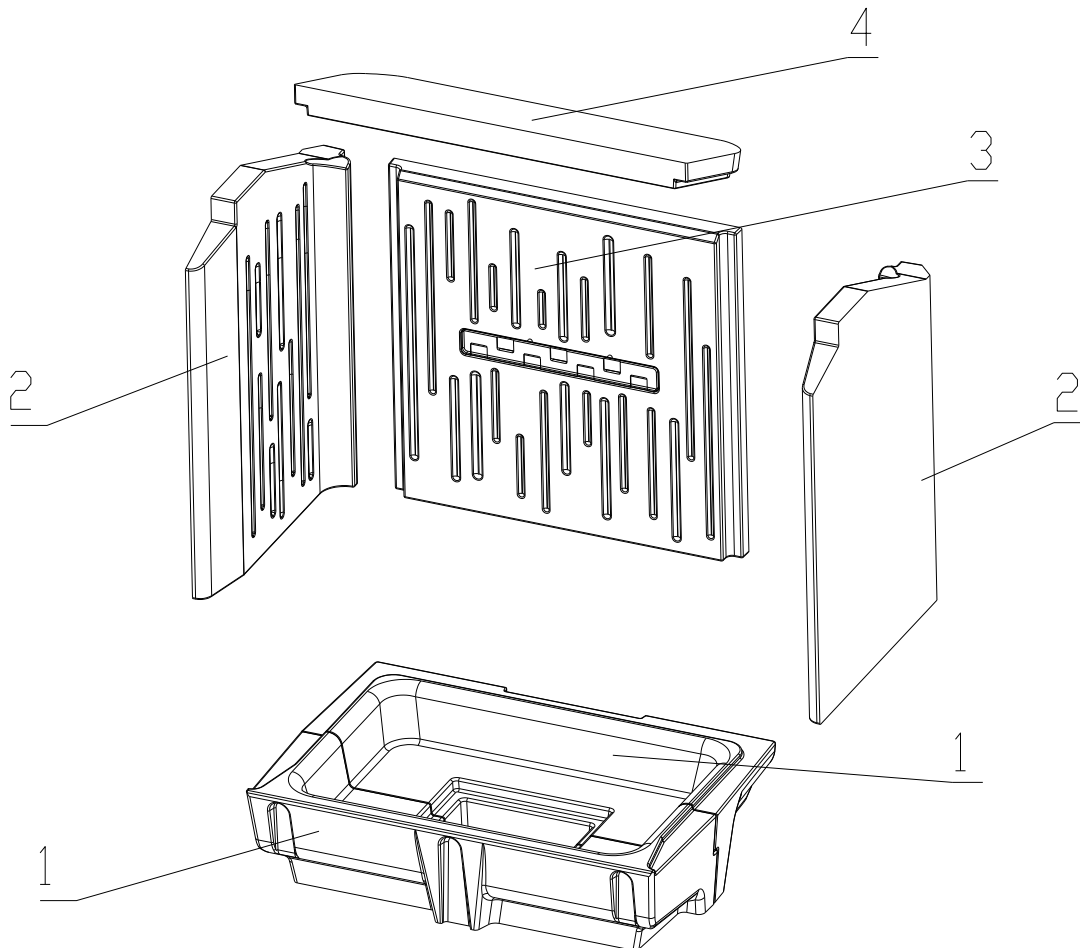


# **FIREPLACE INSERT BEF TREND 6** **IN ACCORDANCE WITH EN 13 229**

## **Technical data:**

Nominal heat output	kW	6
Efficiency	%	82
Volume flow of combustion products	g/s	4,6
Flue-gas temperature	°C	262
Min. feed pressure at nominal heat output	Pa	12
Fuel		wood (beech logs)
Fuel consumption per hour	kg/h	1,85
CO emission in burnt gas (in relation to 13% O <sub>2</sub> )	%	0,0873
Dust in flue-gas (in relation to 13% O <sub>2</sub> )	mg/Nm <sup>3</sup>	19
Smoke flue diameter	mm	150
Weight	kg	130

## **Set of carcon firebox:**



- 1. BOTTOM**
- 2. SIDE PIECE**
- 3. BACK**
- 4. DEFLECTOR**

For details see Installation and Service Instructions.