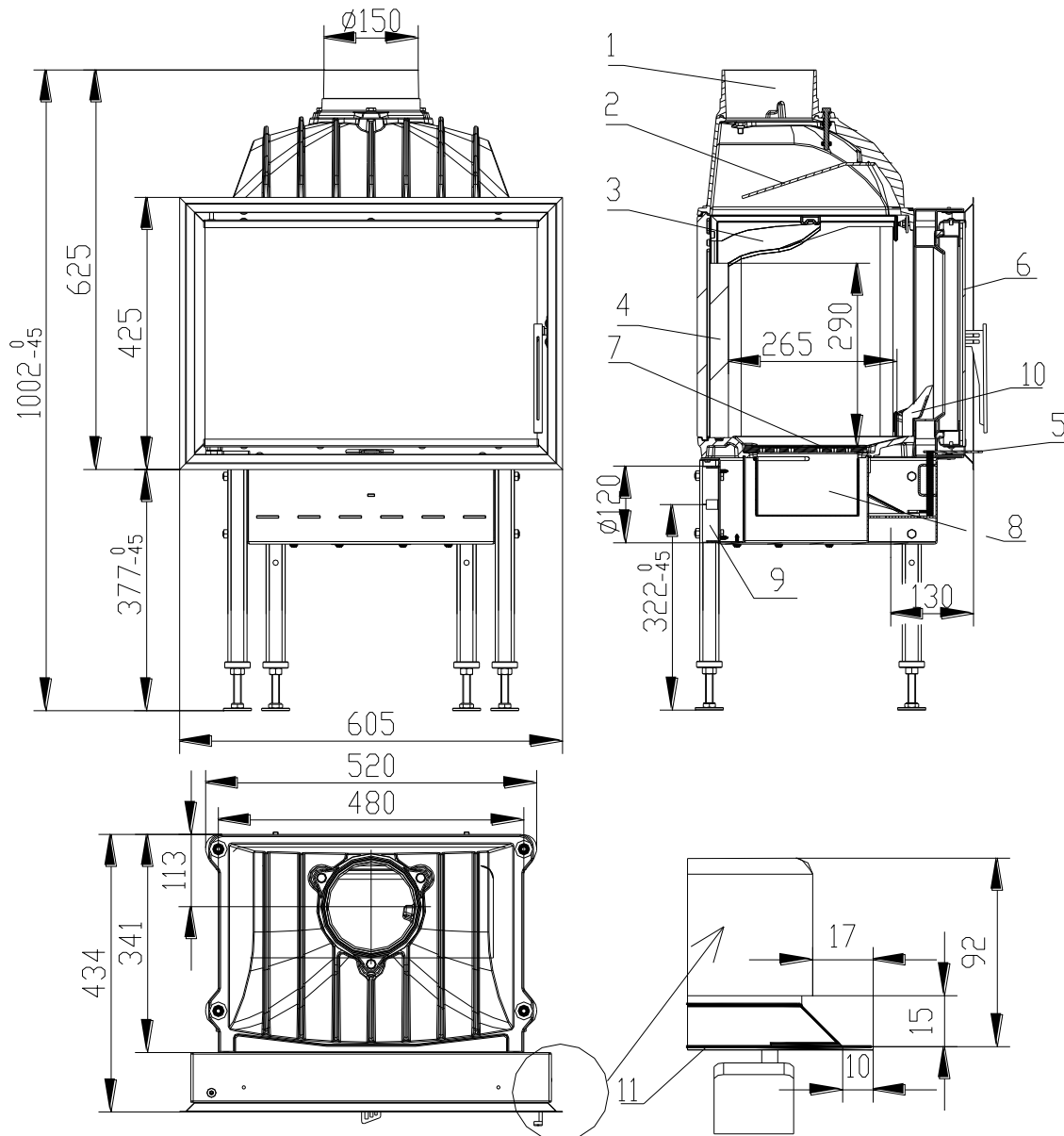


FIREPLACE INSERT OPTIM 6 in accordance with EN 13 229 - W

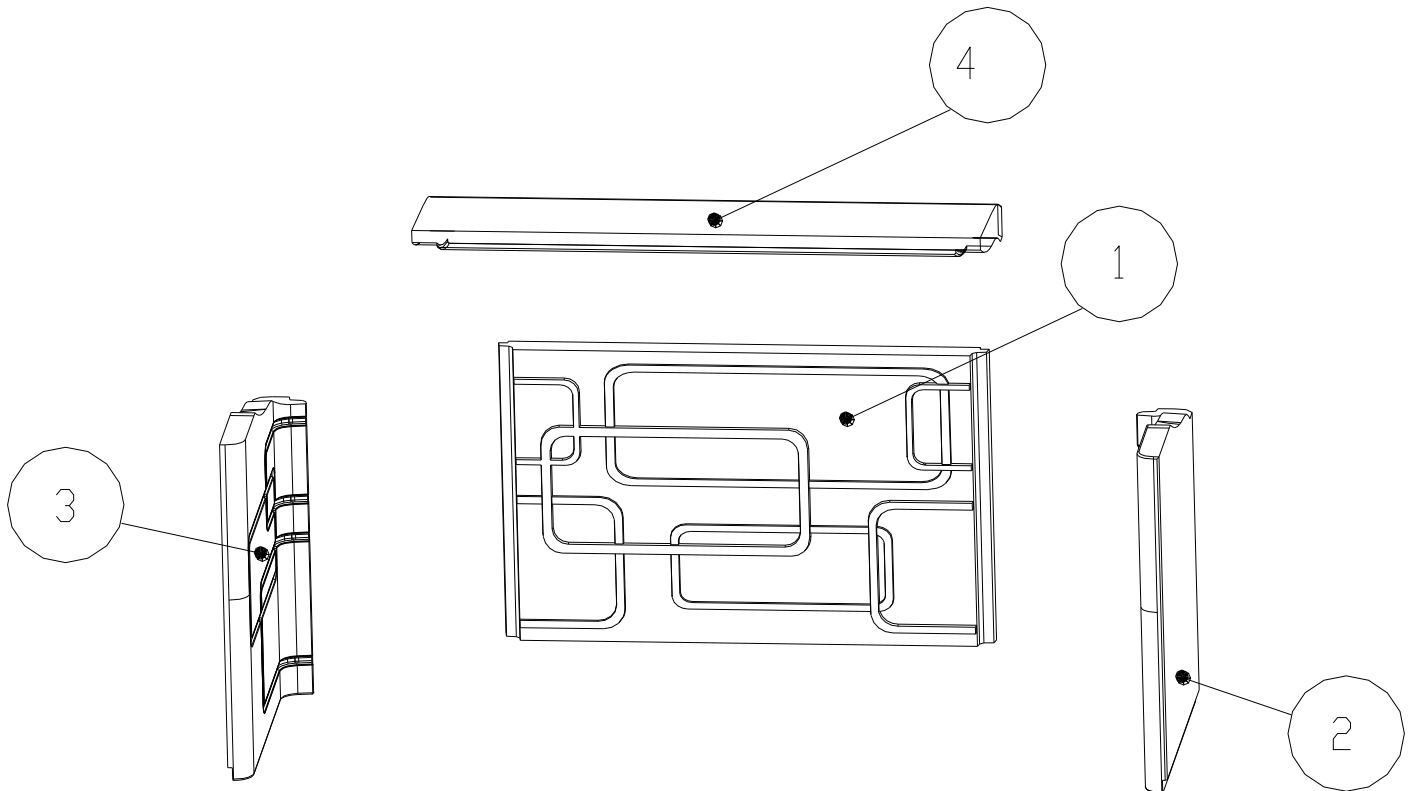


- | | |
|-------------------------------------|------------------------------|
| 1.Flue bellmouth | 6. Glass |
| 2.Deflector | 7. Grate |
| 3.Deflector Carcon | 8. Ash Tray |
| 4.Refractory concrete Carcon | 9. External air input |
| 5.Inlet regulativ | 10. Barrier |
| 11.Frame | |

Technical data:

		Closed firebox
Nominal heat output	kW	6
Efficiency	%	78,5
Volume flow of combustion products	g/s	5,8
Flue-gas temperature	°C	347
Min. feed pressure at nom. heat output	Pa	10
Fuel		Wood (beech logs)
Fuel consumption per hour	kg/h	1,9
CO emission in burnt gas (in relation to 13% O ₂) %		0,07
Smoke flue diameter	mm	150
Weight	kg	102

Refractory concrete Carcon



- 1 – Back Side
- 2 – Right Side
- 3 – Left side
- 4 – Deflektor

BeF Home, s.r.o. Kotvrdovice 277 679 07 Kotvrdovice IČO: 25524682	BÊF home	CE	10
Type: OPTIM 6			
Version: 6, V6, 6CP, 6CL, 6C, V6CL, V6CP, V6C			
Test number: 30-10793			
Notified person: 1015 EN 13229			
Heat output: 6kW capacity for heating			
Efficiency: 78,5%			
CO emission in burnt gas (in relation to 13% O ₂): 0,07%			
Burnt gas temperature:: 347°C			
Distance from adjacent combustible materials: 8cm + 10cm thermal insulation			
Fuel: wood (beech logs)			
Wood-burning fireplace insert for room heating.			
Peruse and keep service instructions!			
Appliance with short-term combustion process!			

1) For details see Installation and Service Instructions