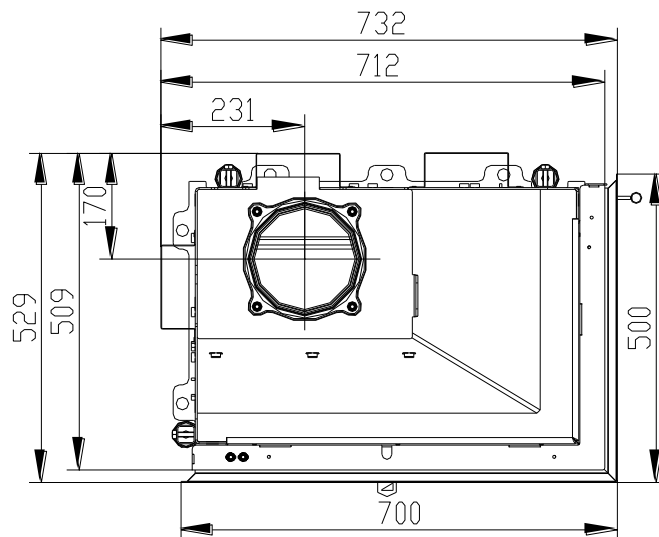
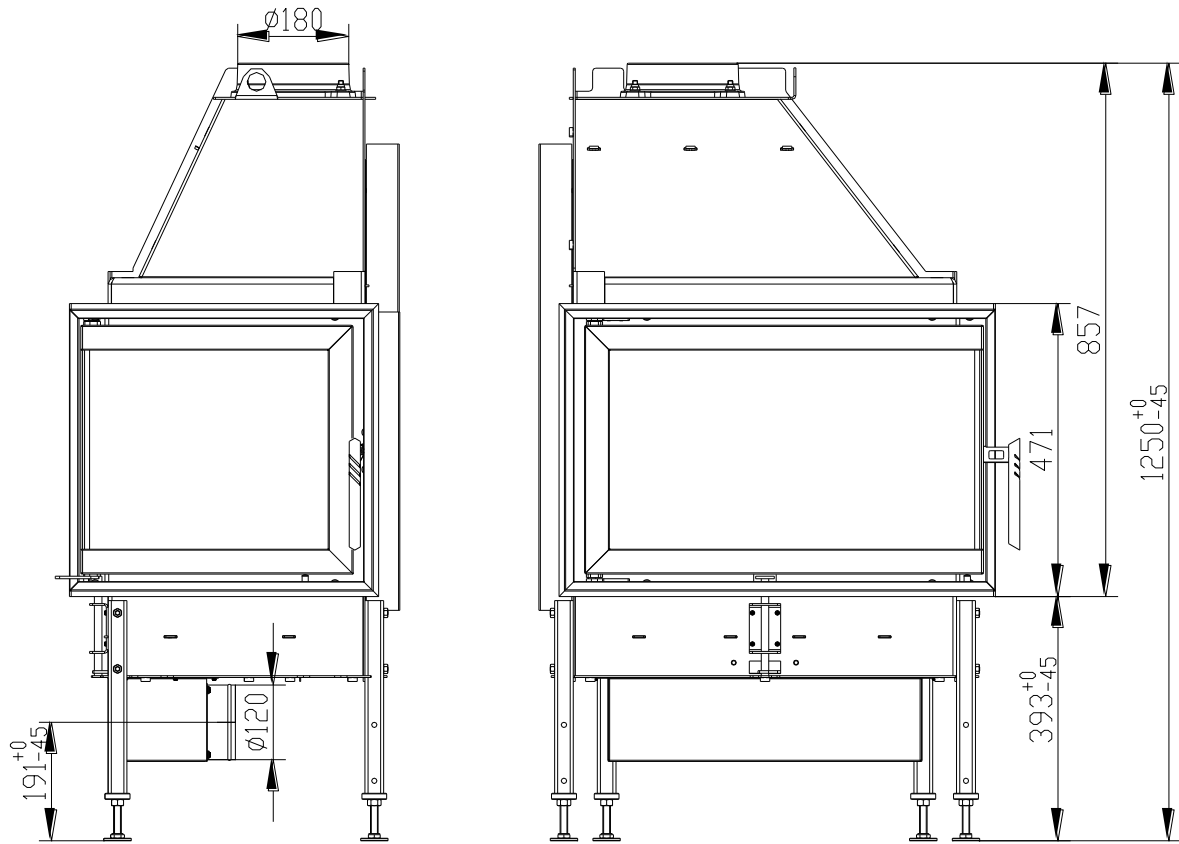


FIREPLACE INSERT INTER 8 CP IN ACCORDANCE WITH EN 13 229

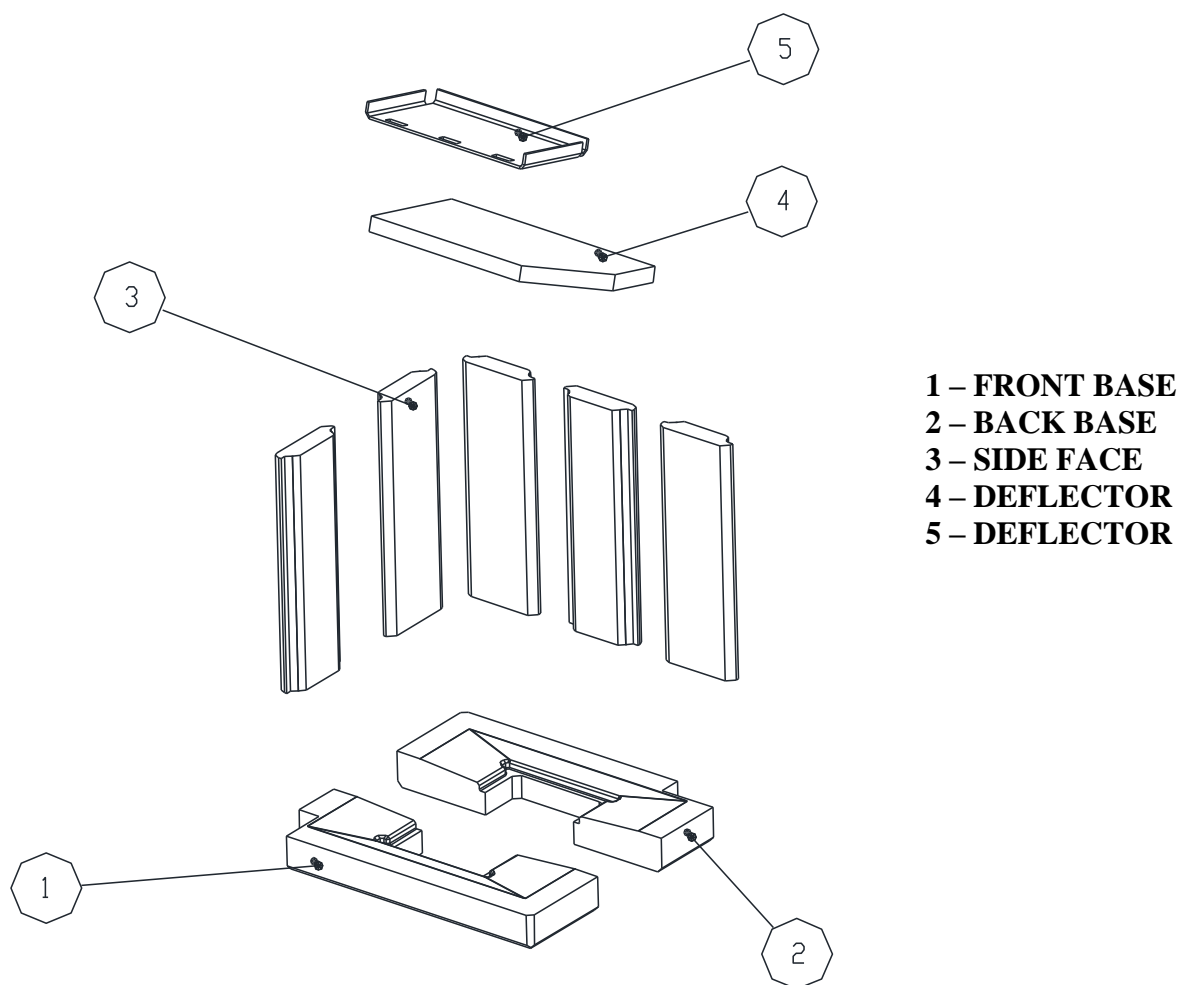


FIREPLACE INSERT INTER 8 CP IN ACCORDANCE WITH EN 13 229

Technical data:

Nominal heat output	kW	13
Efficiency	%	80
Volume flow of combustion products	g/s	10,2
Flue-gas temperature	°C	280
Min. feed pressure at nominal heat output	Pa	12
Fuel		wood (beech logs)
Fuel consumption per hour	kg/h	3,8
CO emission in burnt gas (in relation to 13% O ₂)	%	0,067
Dust in flue-gas (in relation to 13% O ₂)	mg/Nm ³	28
Smoke flue diameter	mm	180
Weight	kg	

Assembly of a fire-brick firebox:



For details see Installation and Service Instructions.