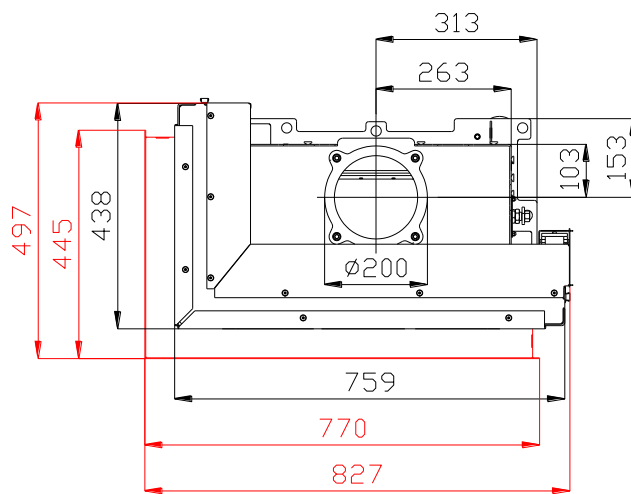
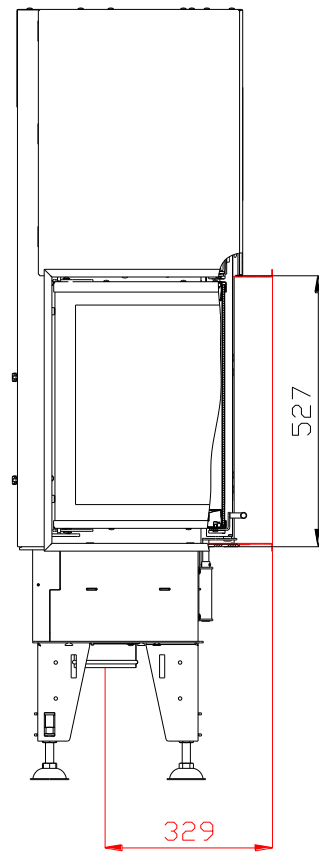
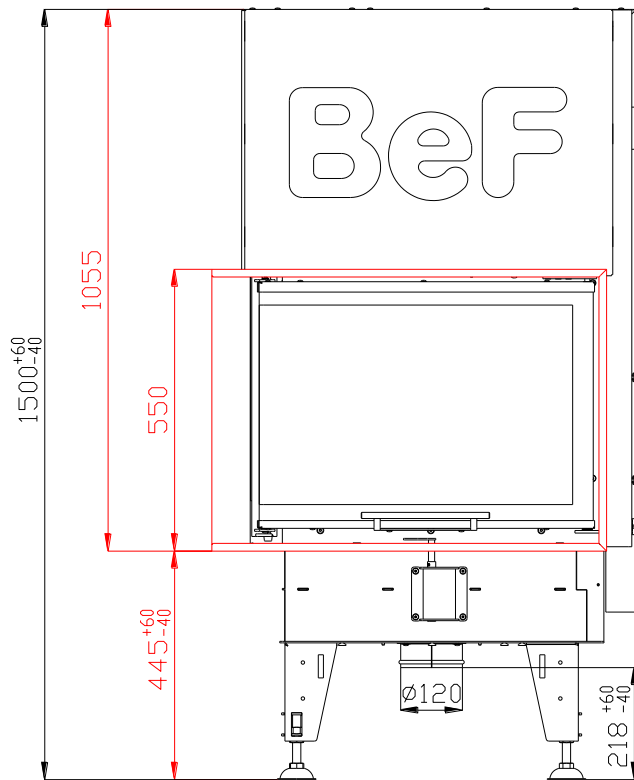


FIREPLACE INSERT BEF FLAT V 8 CL IN ACCORDANCE WITH EN 13 229

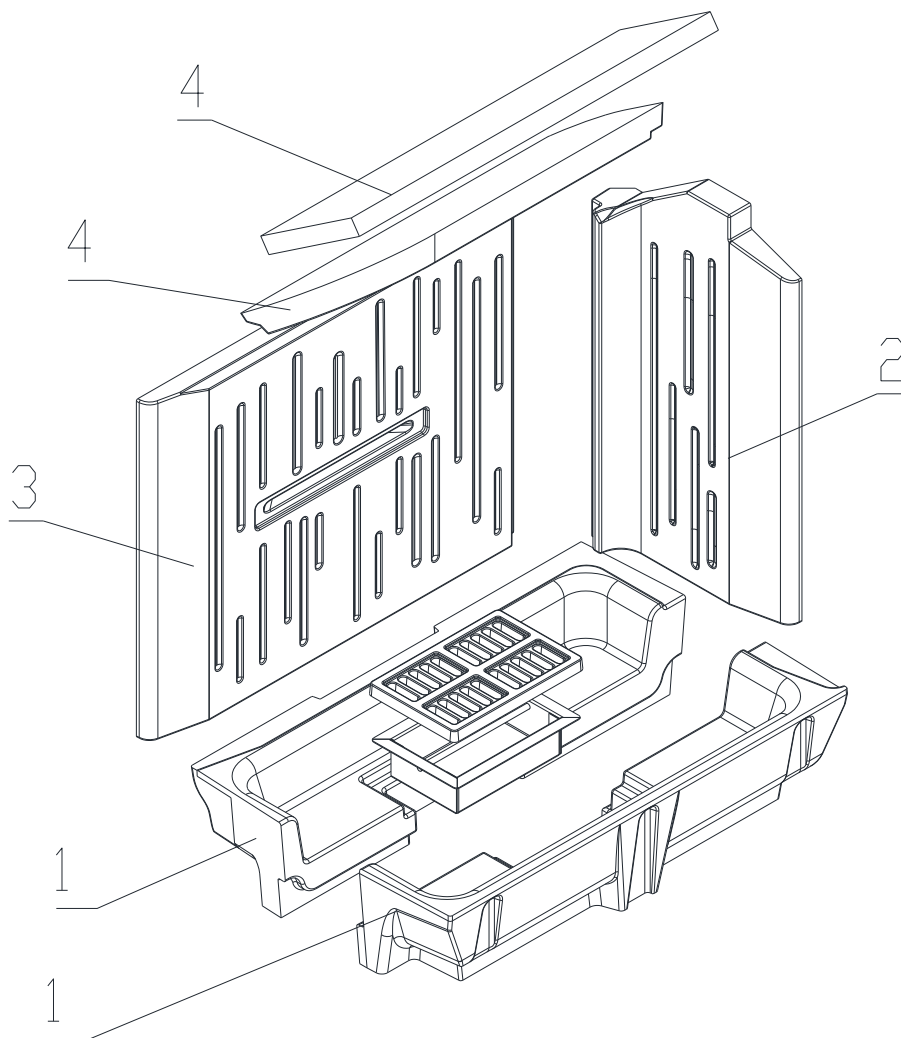


FIREPLACE INSERT BEF FLAT V 8 CL IN ACCORDANCE WITH EN 13 229

Technical data:

Nominal heat output	kW	8
Efficiency	%	85
Volume flow of combustion products	g/s	6
Flue-gas temperature	°C	212
Min. feed pressure at nominal heat output	Pa	12
Fuel		wood (beech logs)
Fuel consumption per hour	kg/h	2,54
CO emission in burnt gas (in relation to 13% O ₂)	%	0,0932
Dust in flue-gas (in relation to 13% O ₂)	mg/Nm ³	16
Smoke flue diameter	mm	180
Weight	kg	186

Set of carcon firebox:



List of spare parts:

1. Bottom
2. Side piece
3. Back
4. Deflector
5. Cast iron grate
6. Ashtray

For details see Installation and Service Instructions.