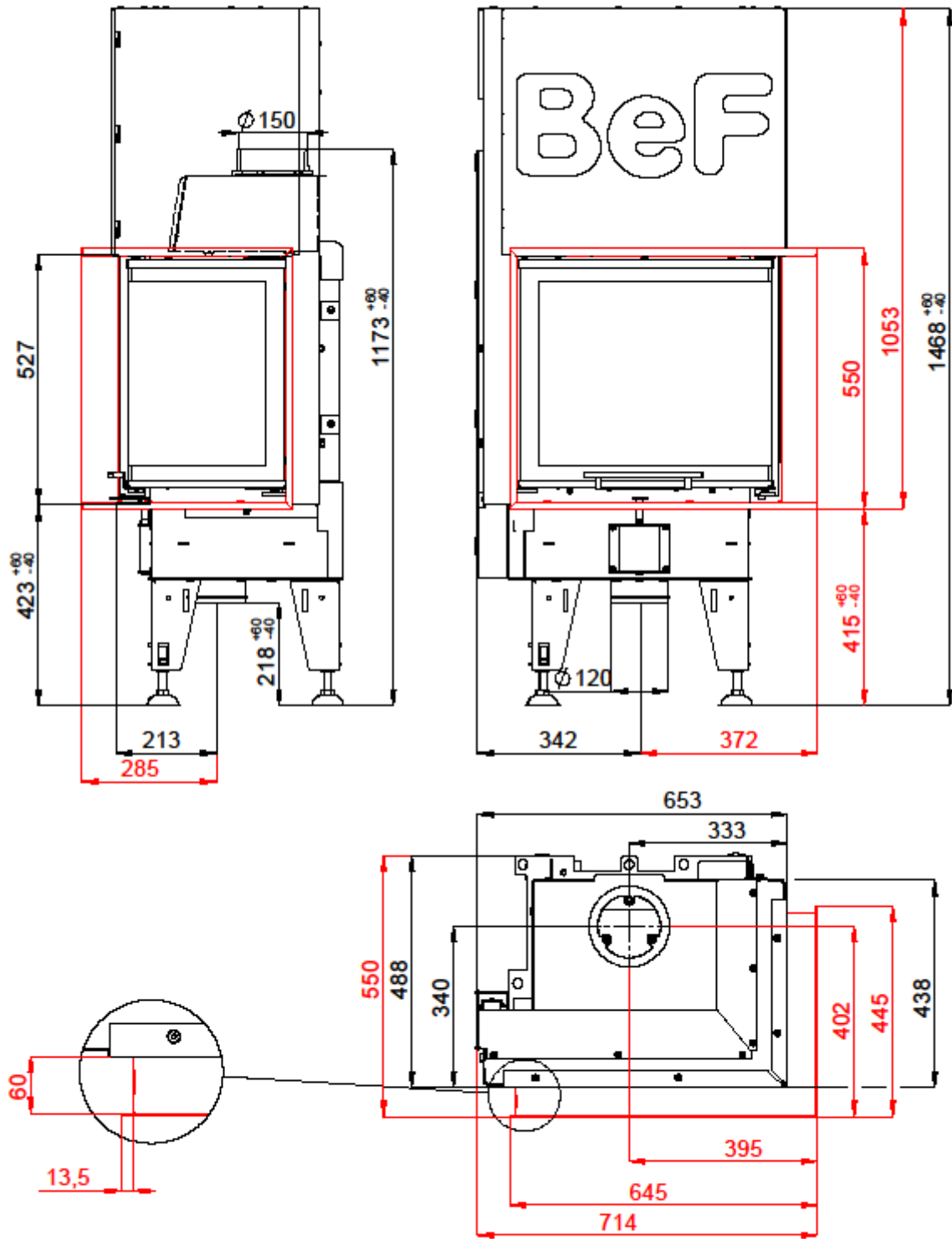


FIREPLACE INSERT BEF TREND V 6 CP IN ACCORDANCE WITH EN 13 229

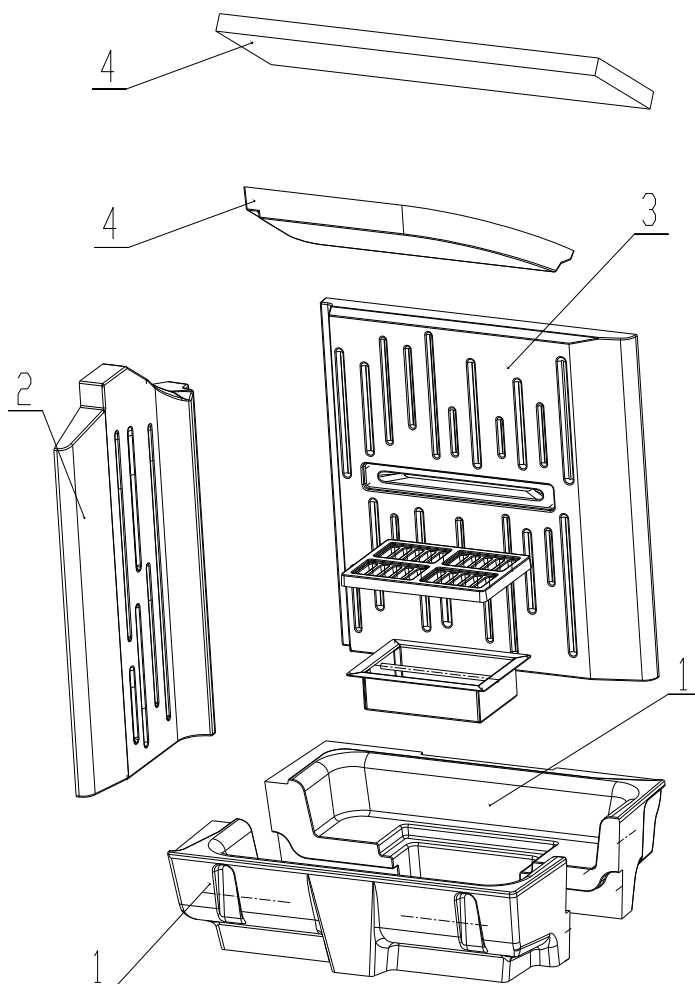


FIREPLACE INSERT BEF TREND V 6 CP **IN ACCORDANCE WITH EN 13 229**

Technical data:

Nominal heat output	kW	6
Efficiency	%	82
Volume flow of combustion products	g/s	4,6
Flue-gas temperature	°C	262
Min. feed pressure at nominal heat output	Pa	12
Fuel		wood (beech logs)
Fuel consumption per hour	kg/h	1,85
CO emission in burnt gas (in relation to 13% O2) %		0,0873
Dust in flue-gas (in relation to 13% O2) mg/Nm ³		17
Smoke flue diameter	mm	150
Weight	kg	175

Set of carcon firebox:



List of spare parts:

- 1. Bottom**
- 2. Side piece**
- 3. Back**
- 4. Deflector**
- 5. Cast iron grate**
- 6. Ashtray**

For details see Installation and Service Instructions.