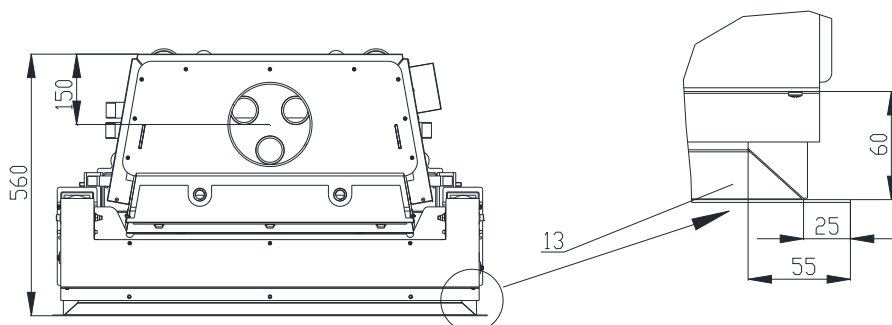
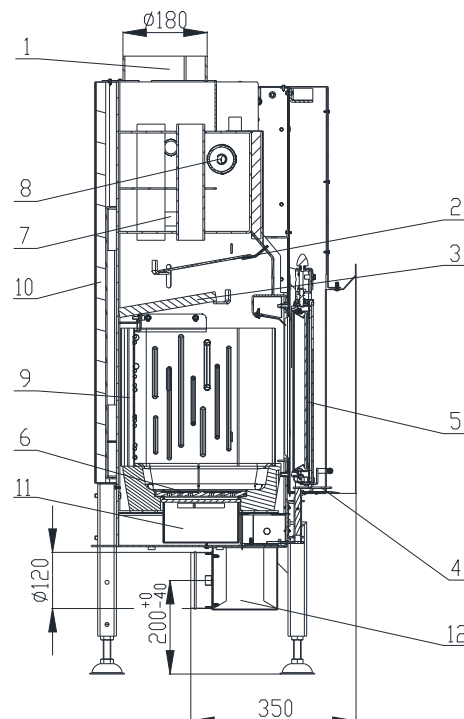
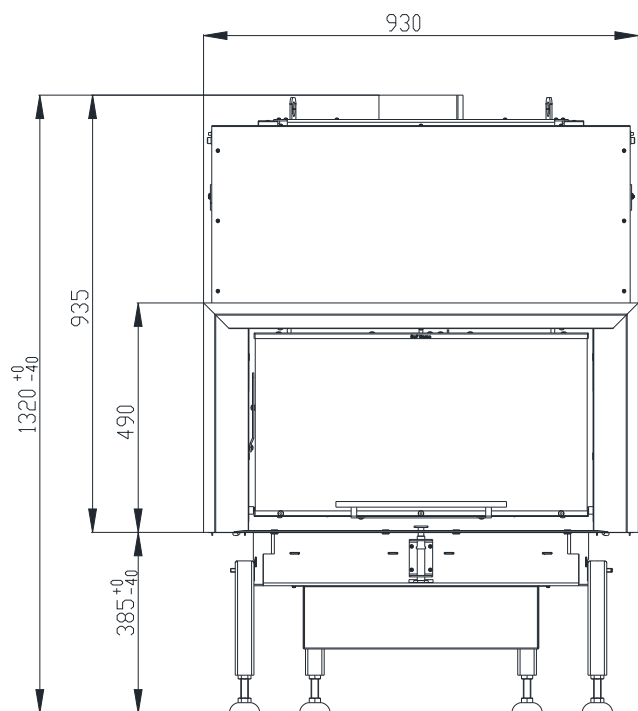


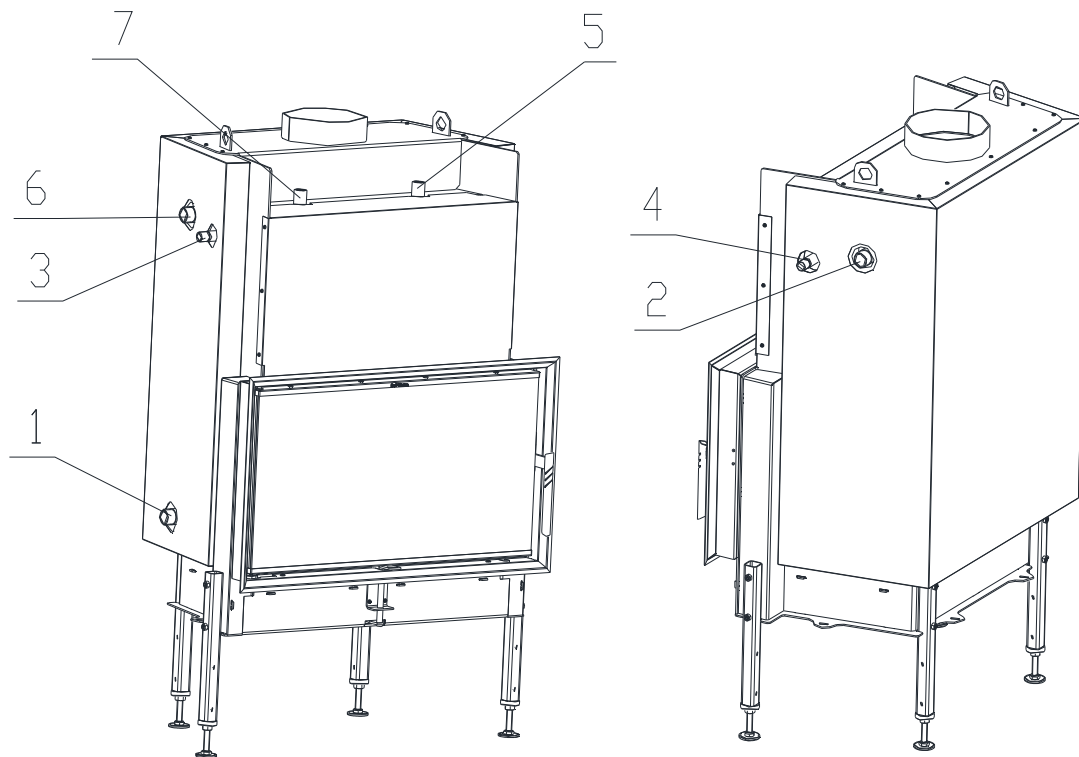
HOT FIREPLACE INSERT WH 70 VAQUATIC IN ACCORDANCE WITH EN 13 229



- | | |
|---|--|
| <p>1. Smoke flue bellmouth</p> <p>2. Deflector (Steel)</p> <p>3. Deflector (Vermiculite)</p> <p>4. Combustion air regulation</p> <p>5. Glass</p> <p>6. Grate</p> <p>7. Exchanger</p> | <p>8. Coolant loop</p> <p>9. Refractory concrete (Carcon)</p> <p>10. Insulation</p> <p>11. Ash tray</p> <p>12. External air input</p> <p>13. Frame</p> |
|---|--|

Technical data:

Nominal heat output	kW	10
Efficiency	%	87
Output into water	kW	8
Volume flow of combustion products	g/s	9,2
Flue-gas temperature	°C	169
Min. feed pressure at nominal heat output	Pa	12
Fuel		wood (beech logs)
Fuel consumption per hour	kg/h	2,96
CO emission in burnt gas (in relation to 13% O ₂) %		0,091
Smoke flue diameter	mm	180
Weight	kg	247



- 1 – Cold water input into water exchanger (reverse), external thread 1“
- 2 – Warm water output from water exchanger (rising pipe), external thread 1“
- 3 – Cold water input for coolant loop, external thread 1/2“
- 4 – Warm water output from coolant loop, external thread 1/2“
- 5 – Input for bleed valve, internal thread 1/2“
- 6 – Thermic security sensor, external thread 1“
- 7 – Pressure valve, internal thread 1/2“

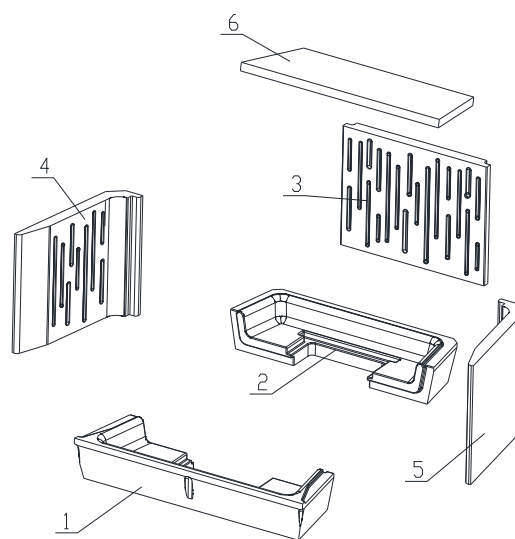
Set of carcon firebox

BeF Home, s.r.o.
Kotvrdovice 277
679 07 Kotvrdovice
IČO: 25524682



Type: **WH 70**
Version: **WH 70V, WH 70VCL, WH70VCP**
Test number: **30-11699**
Notified person: **1015 EN 13229**
Heat output: **10 kW capacity for heating**
Efficiency: **87 %**
CO emission in burnt gas (in relation to 13% O₂): **0,091 %**
Burnt gas temperature: **169 °C**
Distance from adjacent combustible materials: **8cm + 10cm thermal insulation**
Fuel: **wood (beech logs)**
Wood-burning fireplace insert for room heating

Peruse and keep service instructions!
Appliance with short-term combustion process!



- 1 – Front bottom
- 2 – Back bottom
- 3 – Back
- 4 – Left side
- 5 – Right side
- 6 – Bottom deflector

For details see Installation and Service Instructions