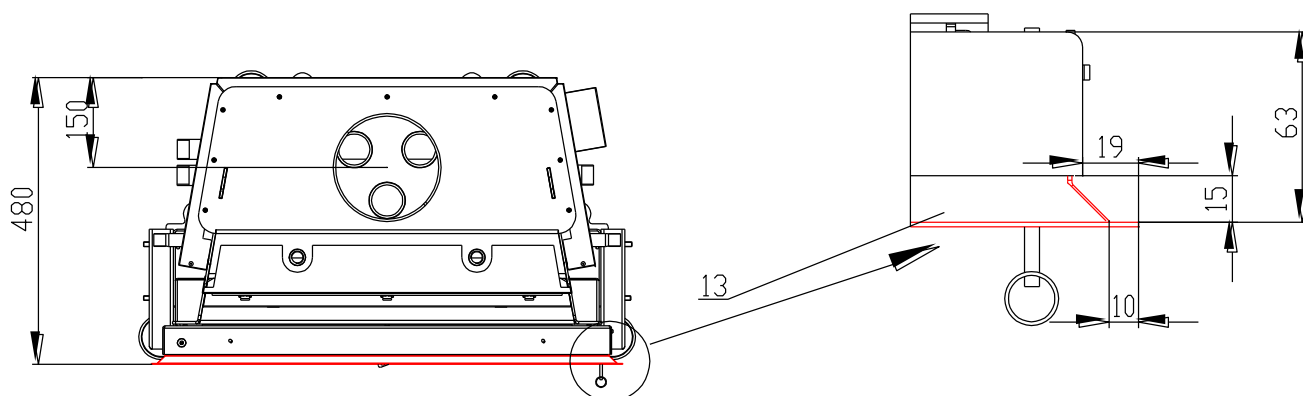
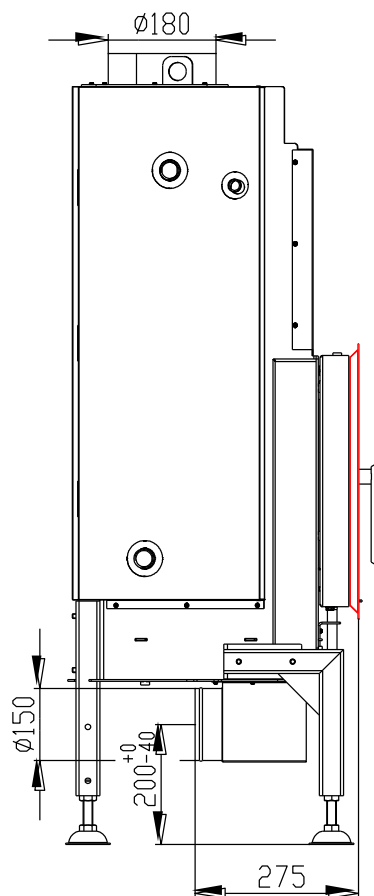
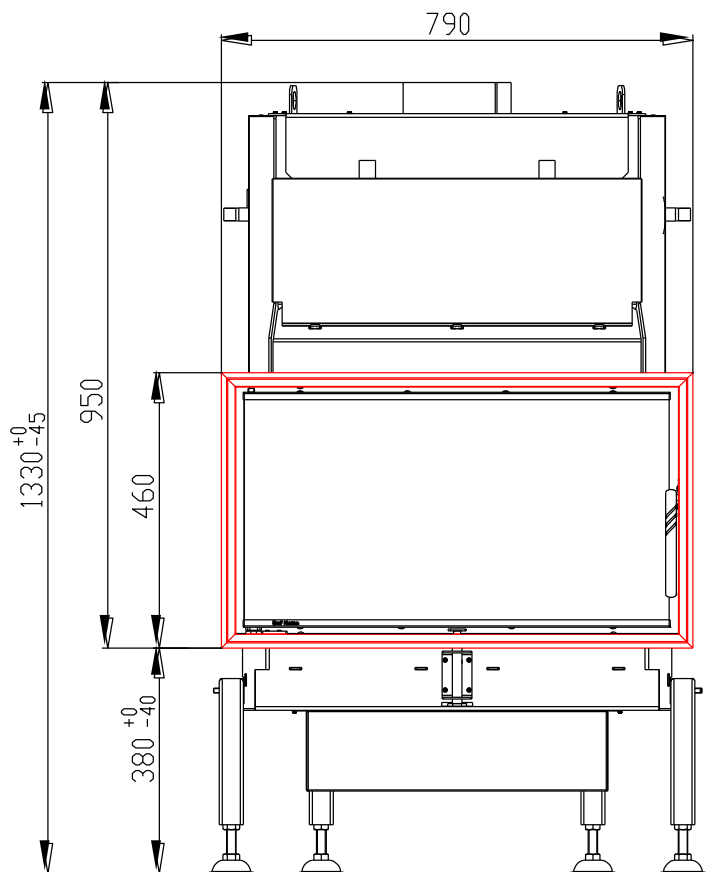


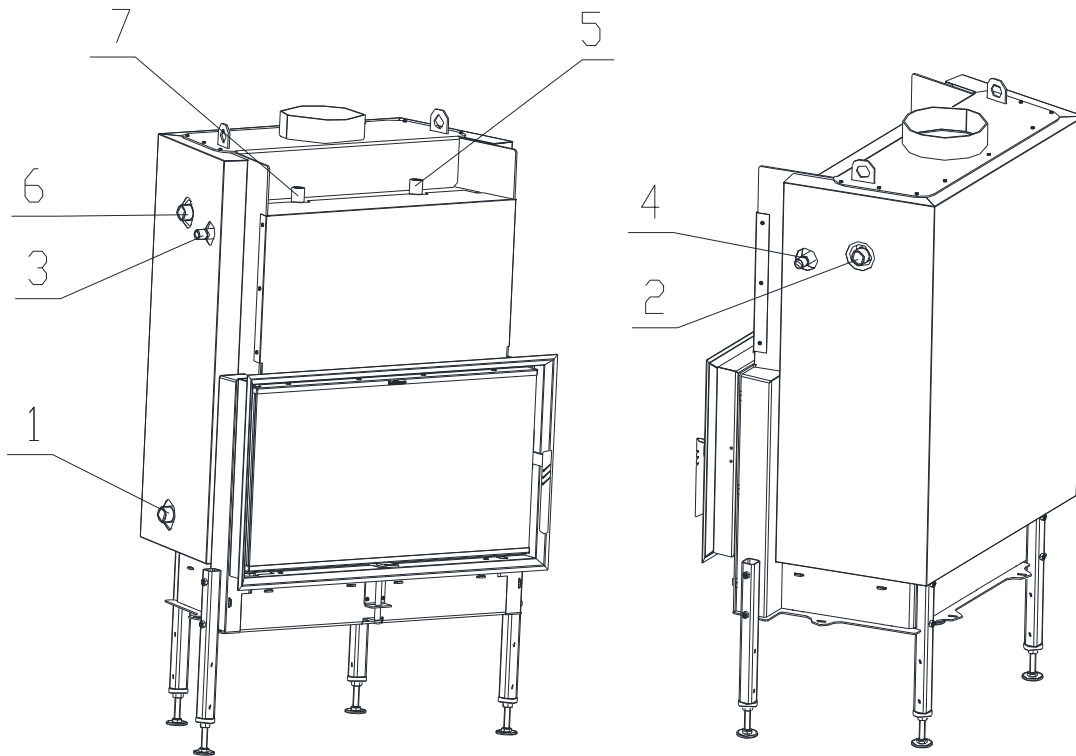
HOT WATER FIREPLACE INSERT AQUATIC WH 75 IN ACCORDANCE WITH EN 13 229



HOT WATER FIREPLACE INSERT AQUATIC WH 75 IN ACCORDANCE WITH EN 13 229

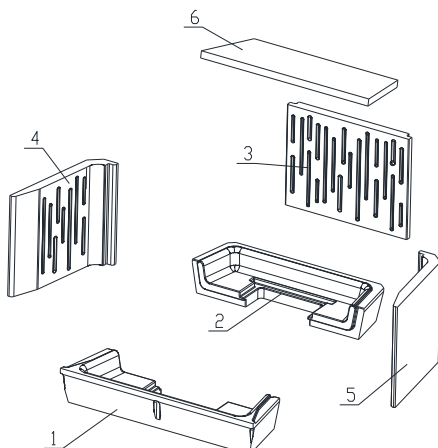
Technical data:

Nominal heat output	kW	16,5
Efficiency	%	83
Output into water	kW	11,5
Volume flow of combustion products	g/s	13,2
Flue-gas temperature	°C	214
Min. feed pressure at nominal heat output	Pa	12
Fuel		wood (beech logs)
Fuel consumption per hour	kg/h	4,6
CO emission in burnt gas (in relation to 13% O ₂)	%	0,1571
Smoke flue diameter	mm	180
Weight	kg	197



- 1 – Cold water input into water exchanger (reverse), external thread 1“
- 2 – Warm water output from water exchanger (rising pipe), external thread 1“
- 3 – Cold water input for coolant loop, external thread 1/2“
- 4 – Warm water output from coolant loop, external thread 1/2“
- 5 – Input for air bleed valve, internal thread 1/2“
- 6 – Thermic security sensor, external thread 1“
- 7 – Pressure valve, internal thread 1/2“

Set of carcon firebox:



List of spare parts:

- 1. Front bottom
- 2. Back bottom
- 3. Back
- 4. Left side
- 5. Right side
- 6. Bottom deflector
- 7. Cast iron grate
- 8. Ashtray

For details see Installation and Service Instructions.