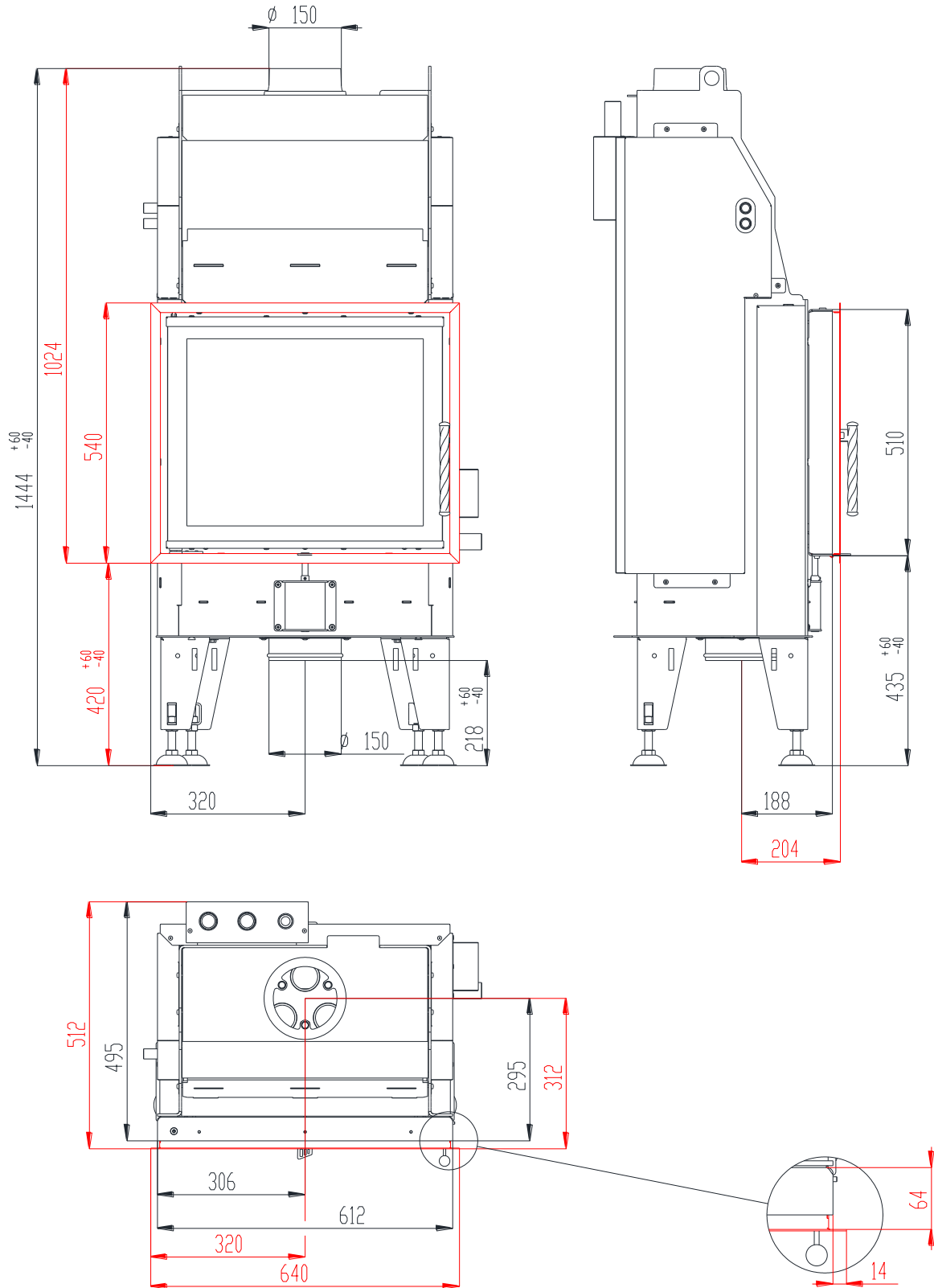


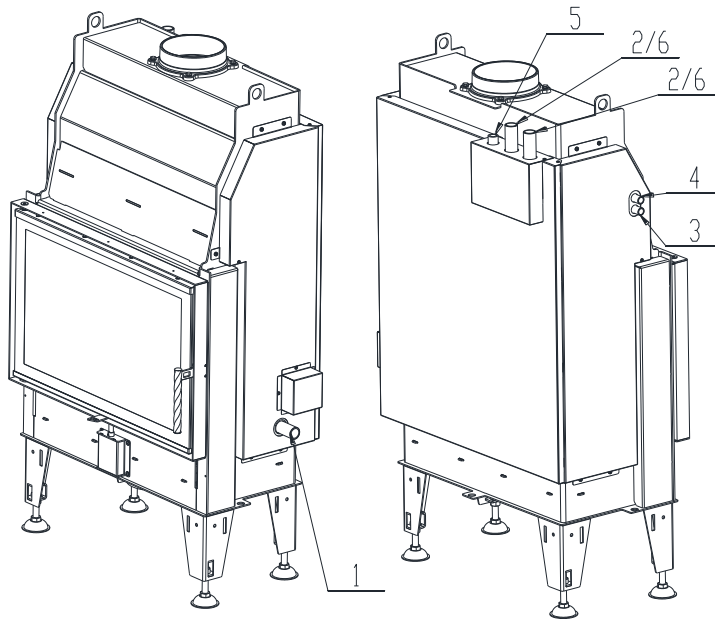
HOT WATER FIREPLACE INSERT BEF AQUATIC WH 65 IN ACCORDANCE WITH EN 13 229



HOT WATER FIREPLACE INSERT BEF AQUATIC WH 65 IN ACCORDANCE WITH EN 13 229

Technical data:

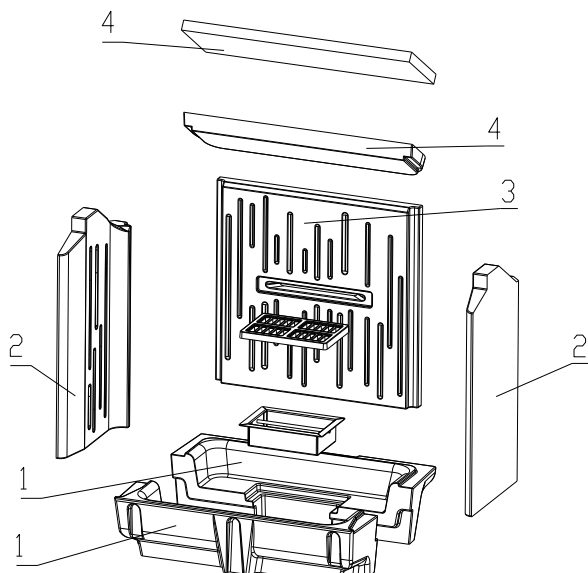
| | | Closed firebox |
|---------------------------------------------------------------|--------------------|-------------------|
| Nominal heat output | kW | 12,5 |
| Efficiency | % | 88 |
| Output into water | kW | 6,5 |
| Volume flow of combustion products | g/s | 7,1 |
| Flue-gas temperature | °C | 190 |
| Min. feed pressure at nominal heat output | Pa | 12 |
| Fuel | | wood (beech logs) |
| Fuel consumption per hour | kg/h | 3,3 |
| CO emission in burnt gas (in relation to 13% O ₂) | % | 0,0903 |
| Dust in flue-gas (in relation to 13% O ₂) | mg/Nm ³ | 18 |
| Smoke flue diameter | mm | 150 |
| Weight | kg | 225 |



- 1 – Cold water input into water exchanger (reverse), external thread 1“
- 2 – Warm water output from water exchanger (rising pipe), external thread 1“
- 3 – Cold water input for coolant loop , external thread 1/2“
- 4 – Warm water output from coolant loop, external thread 1/2“
- 5 – Input for bleed valve, internal thread 1/2”
- 6 – Thermic security sensor, internal thread 1”

Set of carcon firebox:

List of spare part:



- 1. Bottom
- 2. Side piece
- 3. Back
- 4. Deflector
- 5. Cast iron grate
- 6. Ashtray

For details see Installation and Service Instructions.